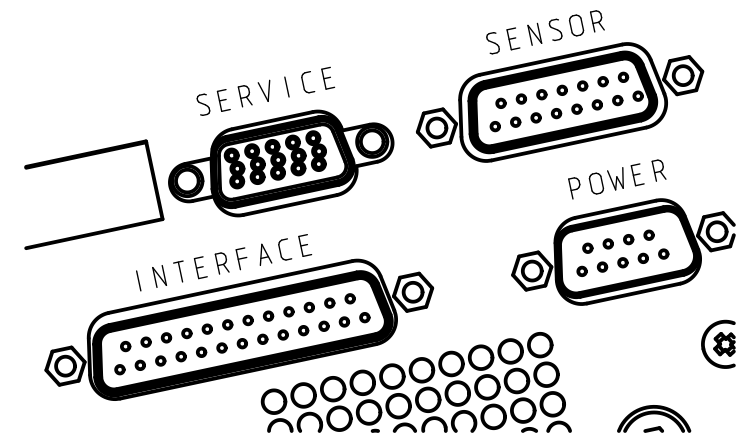
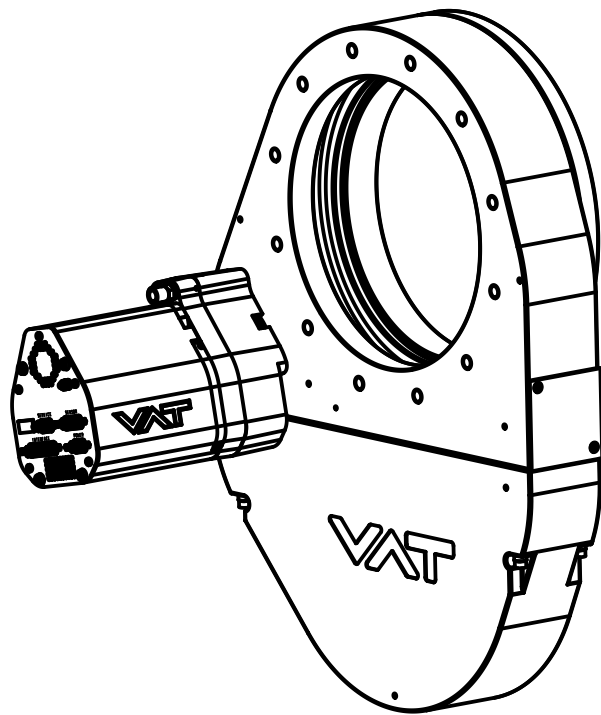
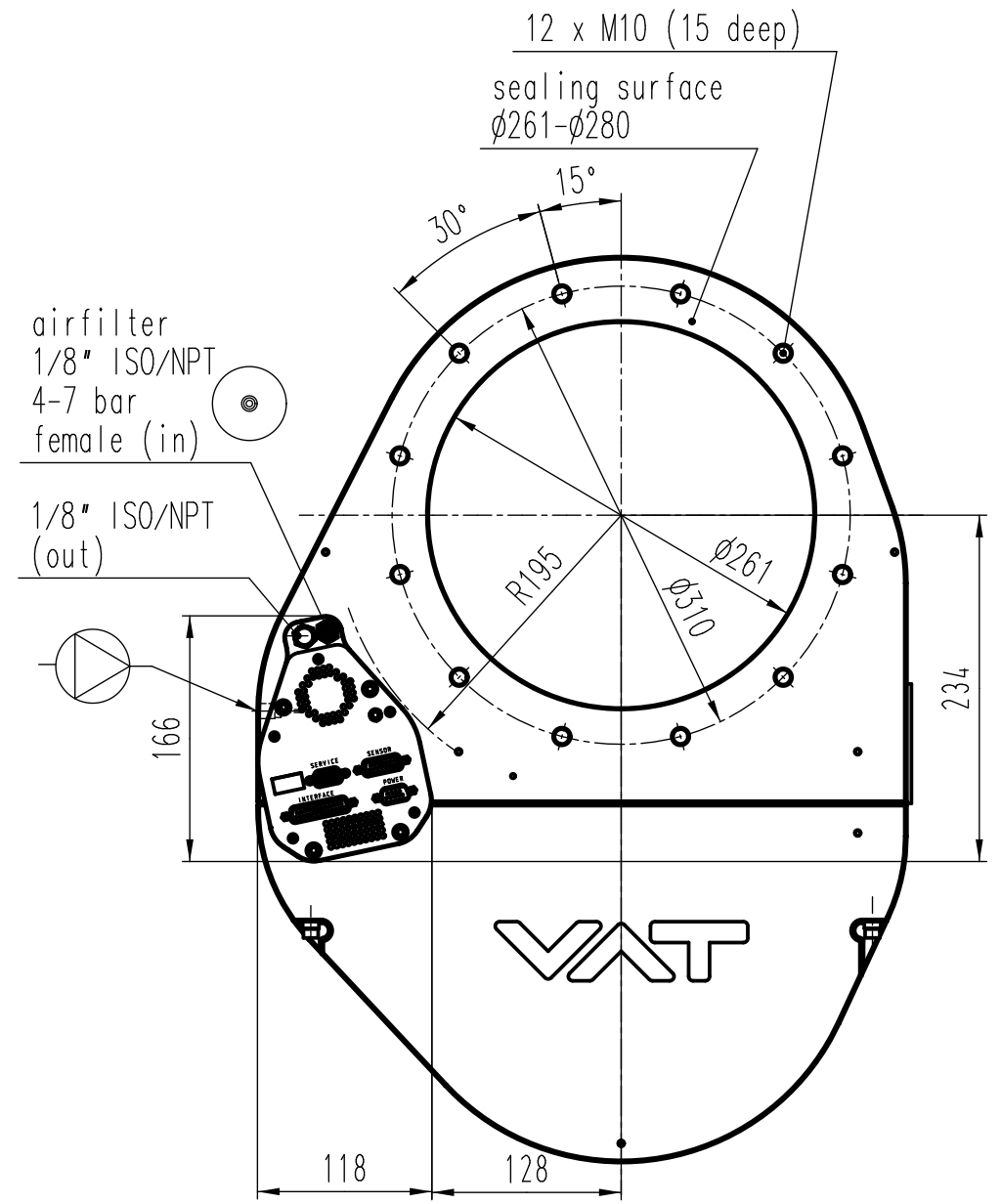
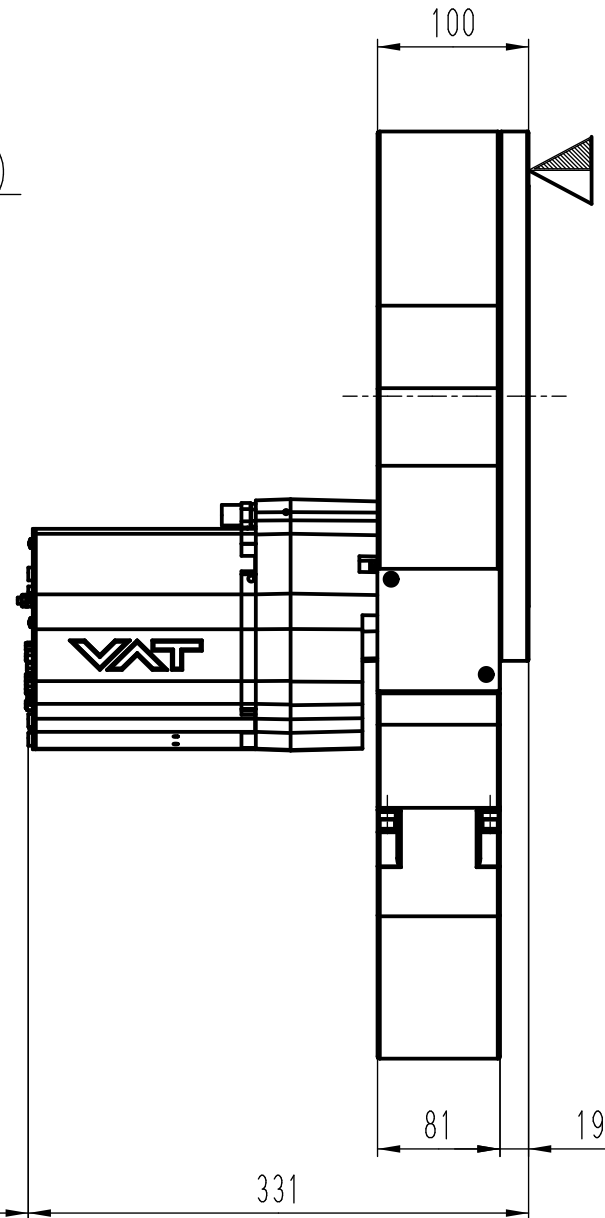
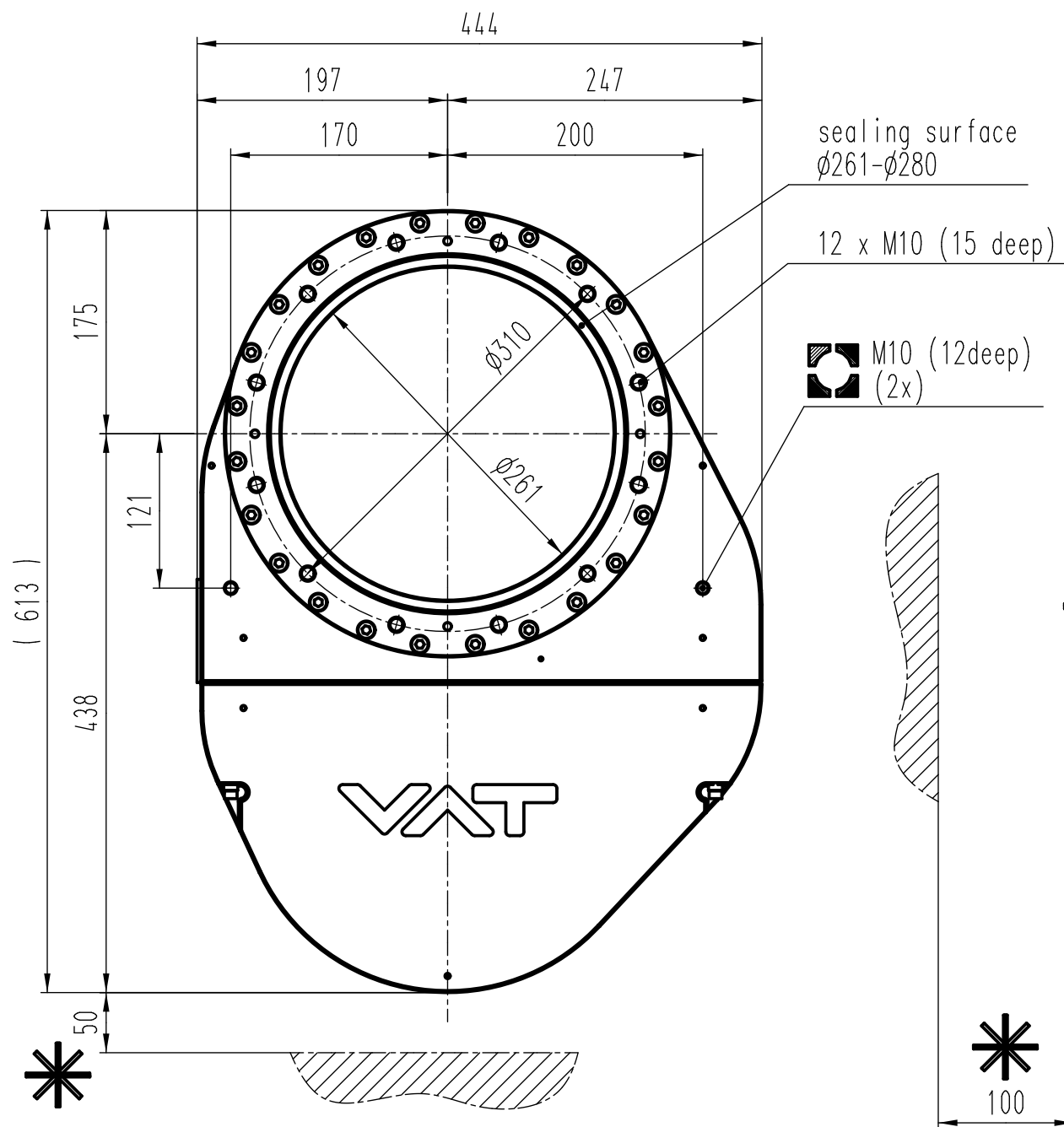


This drawing is the property of VAT.

Customer number
Revision



Connectors	Description	Type
Power	Power input	DB-9 male
Sensor	Sensor input Sensor power supply	DB-15 female
Interface	RS232 interface	DB-25 female

- ▼ Seat side
- ⊙ Comp. air connection
- ⊕ Electrical connection
- ⊙ Leak detection port
- ⊕ Mech. pos. indication
- ⊙ Position indicator
- ⊕ Required for dismantling
- ⊙ Emergency actuation
- ⊕ For attachment
- ⊙ Bake-out area
- ⊕ Differential pumping port

Control pendulum valve

RS232-Interface / 1 sensor



VAT Vakuumventile AG
CH-9469 Haag, Switzerland
Tel ++41 81 7716161 Fax ++41 81 7714830

Date: 24.05.06
Name: FCH

Series	Ordering No.
650	65048-PAGG-0001
Projection E	DN Flange
250	ISO-F

Dimensional Drawing
318068
Rev.