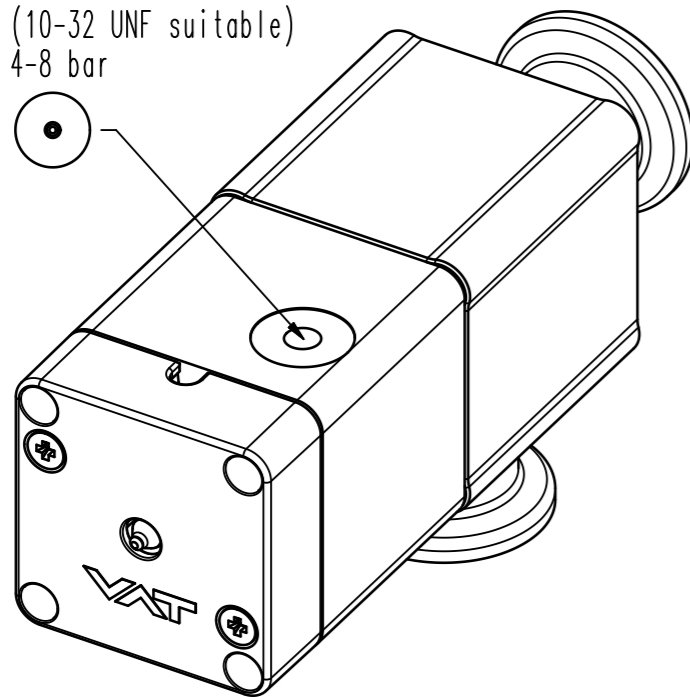


female M5
(10-32 UNF suitable)
4-8 bar



- ▼ Seat side
- Comp. air connection
- Electrical connection
- Leak detection port
- Mech. pos. indication
- Position indicator
- * Required for dismantling
- Emergency actuation
- For attachment
- Bake-out area
- Differential pumping port

HV angle valve



VAT Vakuumentile AG
CH-9469 Haag, Switzerland
Tel ++41 81 7716161 Fax ++41 81 7714830

Rev.-Date: 09.10.13
Visa: RIA

Series	264	Ordering No.	26424-KA12-0001
Projection E	DN	Flange	
	16	ISO-KF	
Dimensional Drawing	323033	Rev.	A