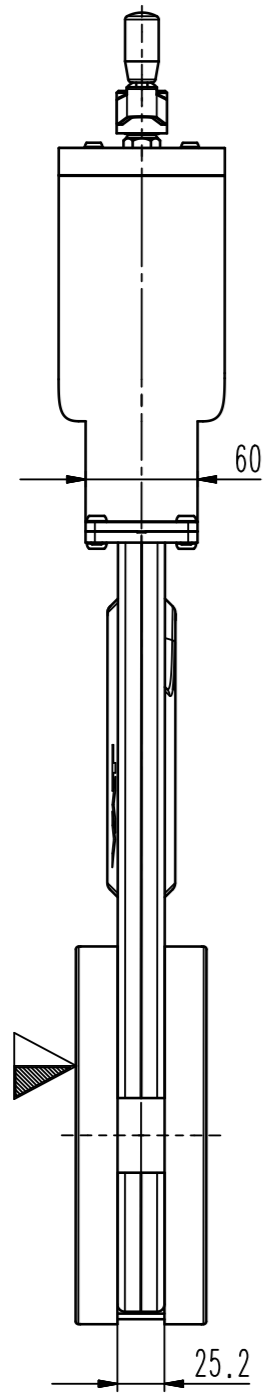


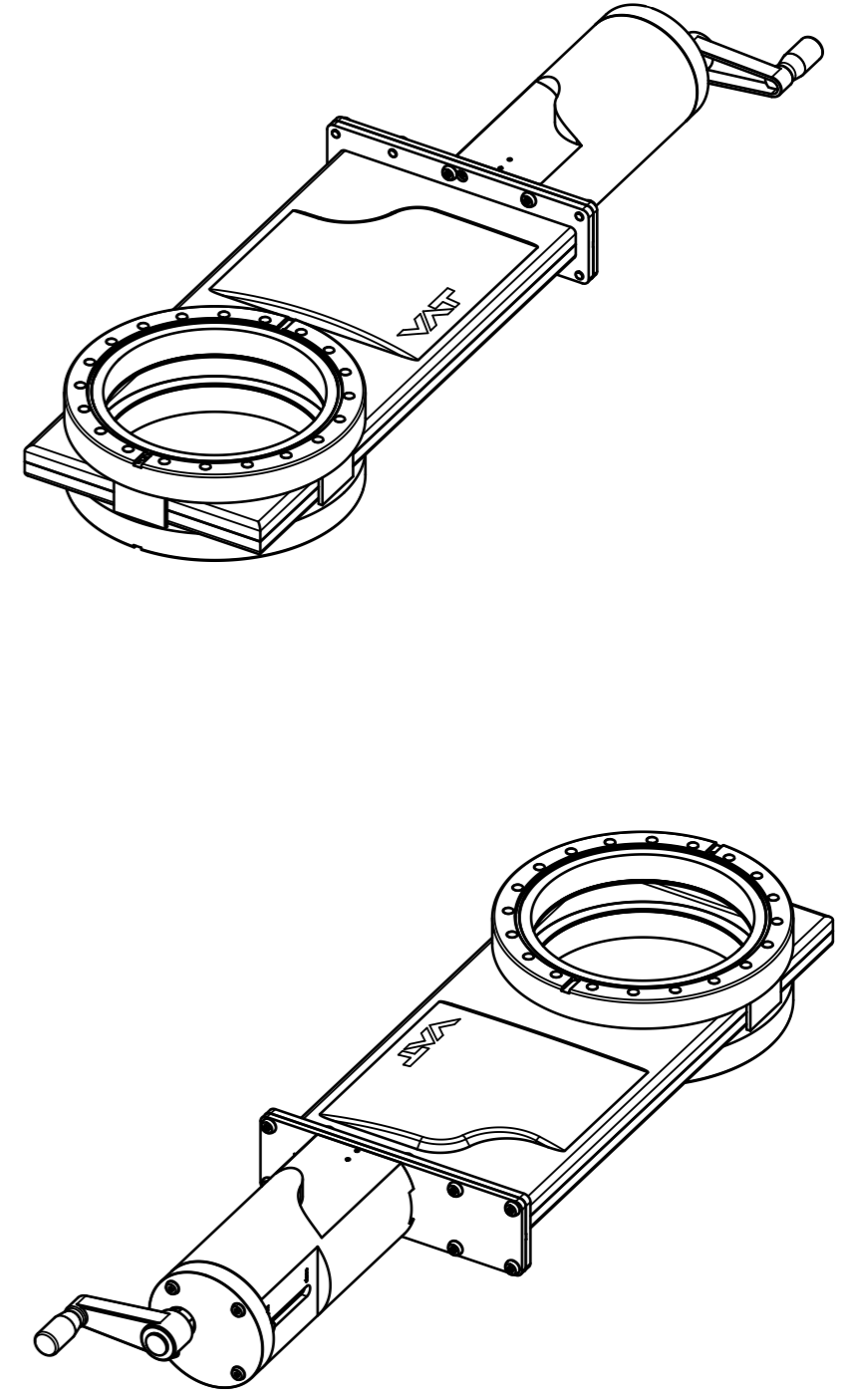
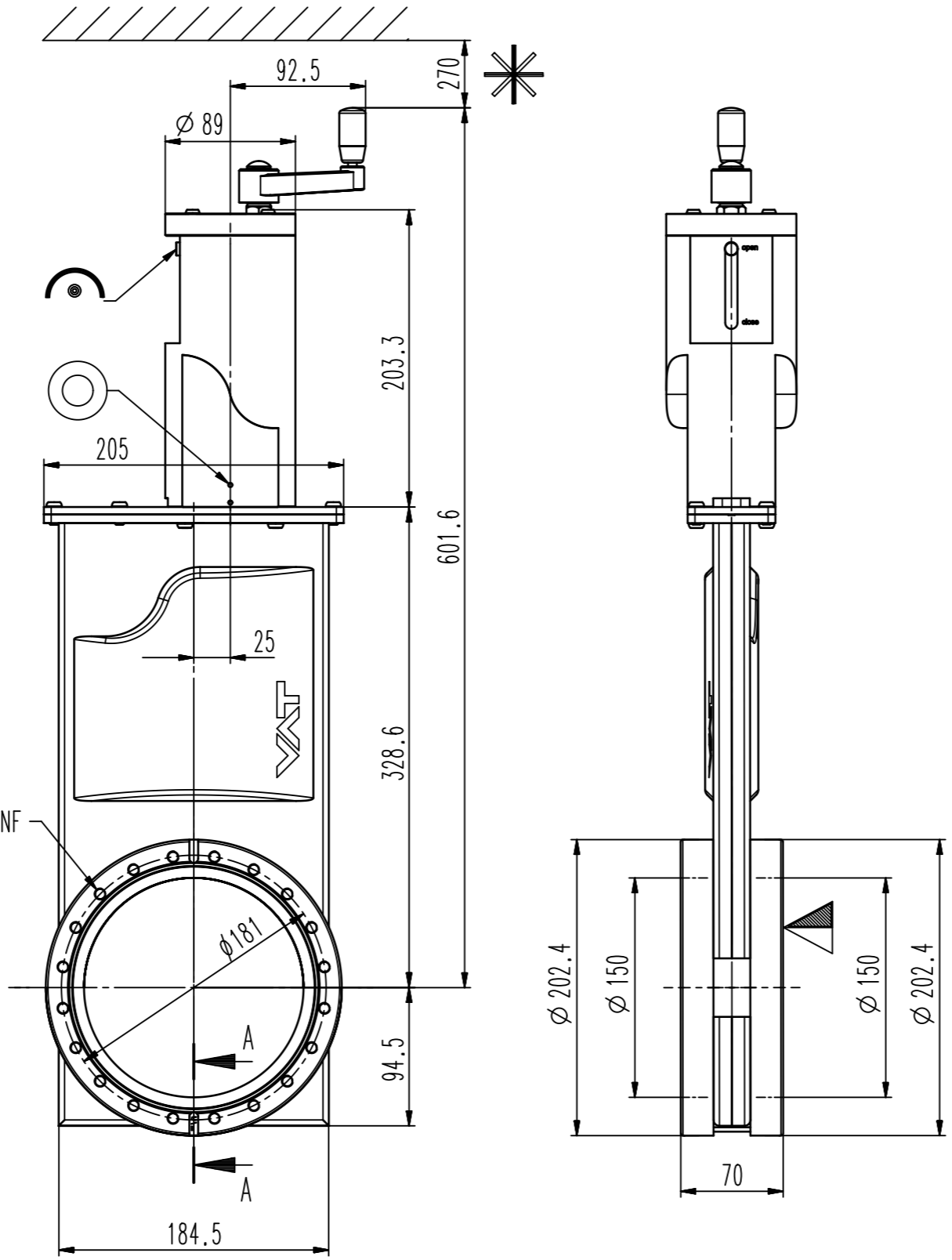
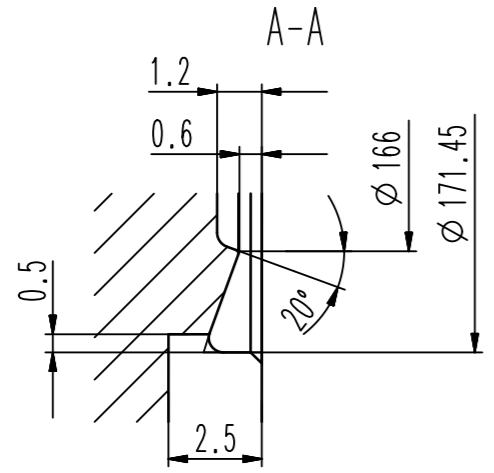
This drawing is the property of VAT.

Revision

Customer number



20x 5/16"-24UNF
13 deep



- ▼ Seat side
- ⊙ Comp. air connection
- ⊙ Electrical connection
- ⊙ Leak detection port
- ⊙ Mech. pos. indication
- ⊙ Position indicator
- ⊙ * Required for dismantling
- ⊙ Emergency actuation
- ⊙ For attachment
- ⊙ Bake-out area
- ⊙ Differential pumping port

HV gate valve with Bellows



VAT Vakuumventile AG
CH-9469 Haag, Switzerland
Tel ++41 81 7716161 Fax ++41 81 7714830

Date: 28.09.09
Name: RYU

Series	110	Ordering No.	11044-UE01-0001
Projection E	DN	Flange	
	160	CF-F UNF	
Dimensional Drawing	418771	Rev.	A