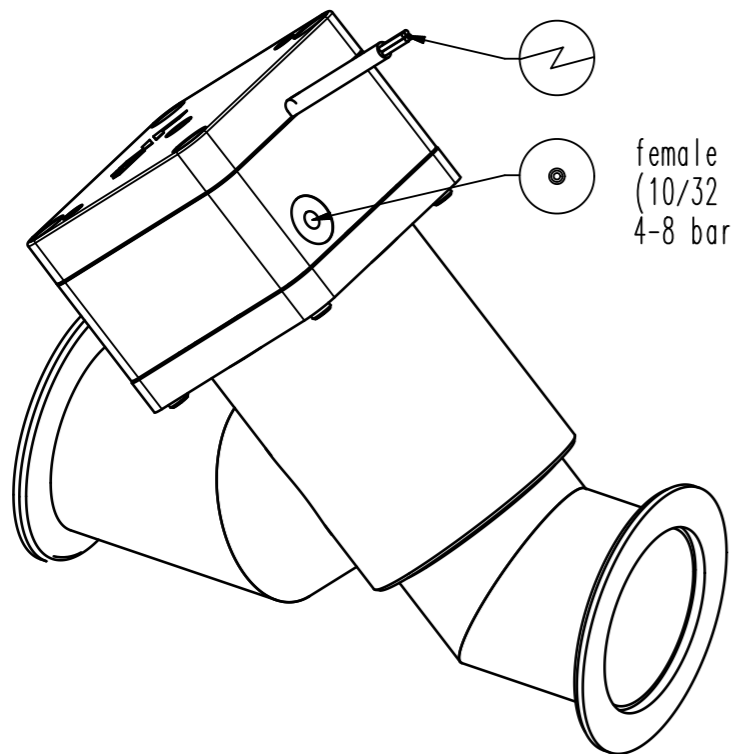
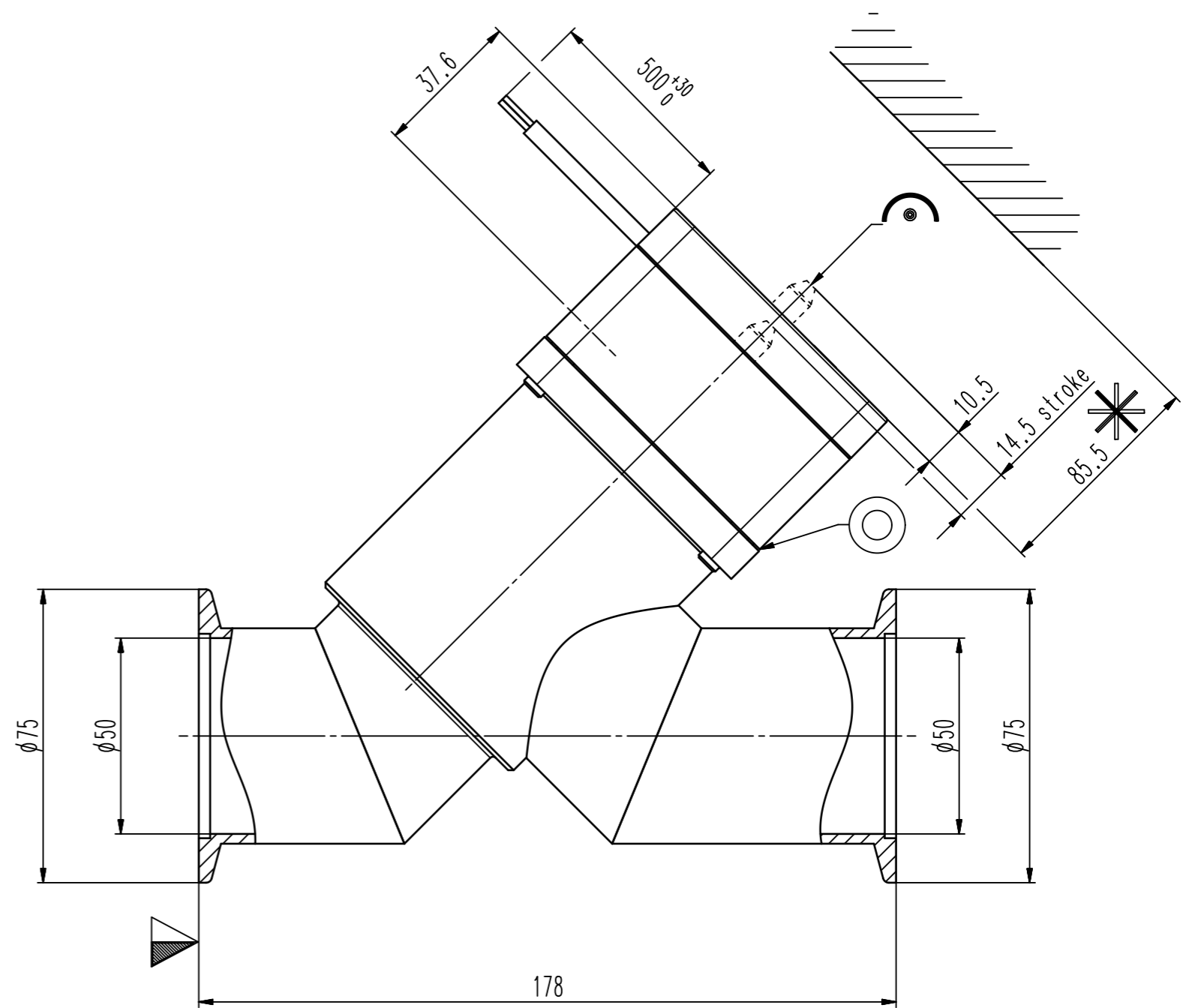
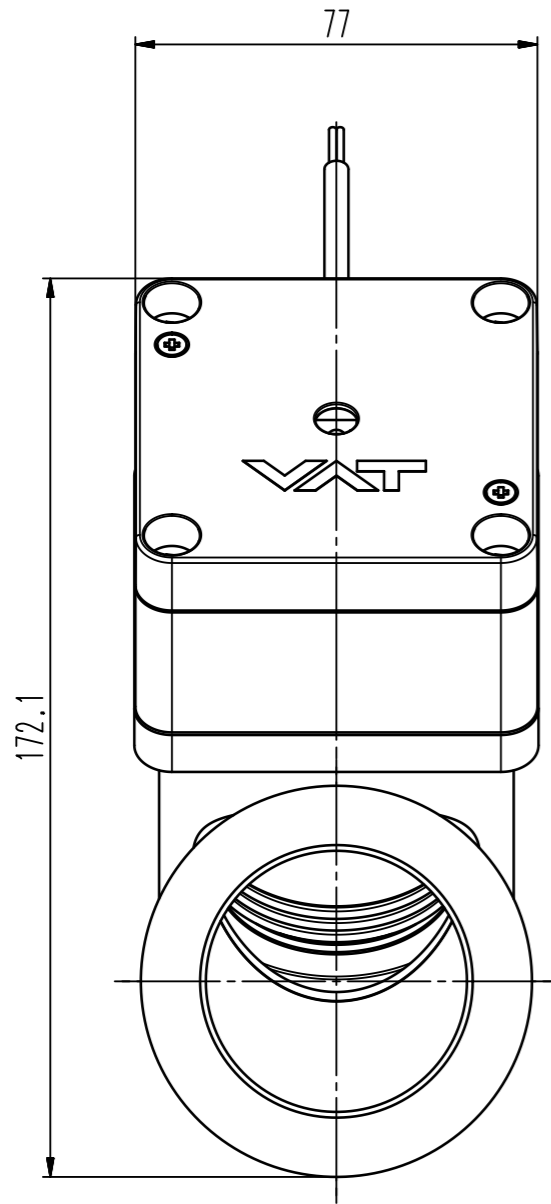


This drawing is the property of VAT.

Revision

Customer number



female M5
(10/32 UNF suitable)
4-8 bar

- ▼ Seat side
- ⊙ Comp. air connection
- ⊙ Electrical connection
- ⊙ Leak detection port
- ⊙ Mech. pos. indication
- ⊙ Position indicator
- ⊙ Required for dismantling
- ⊙ Emergency actuation
- ⊙ For attachment
- ⊙ Bake-out area
- ⊙ Differential pumping port

Vacuum inline valve



VAT Vakuumentile AG
CH-9469 Haag, Switzerland
Tel ++41 81 7716161 Fax ++41 81 7714830

Date: 15.10.09
Name: EMI

Series	245	Ordering No.	24534-KE21-0001
Projection E	⊙	DN	50
		Flange	ISO-KF
Dimensional Drawing			421008
		Rev.	