

This drawing is the property of VAT.

Revision

Customer number

adjusting screw for intermediate position

R 1/8", 4-7bar
(1/8"NPT only for USA)

3 pin

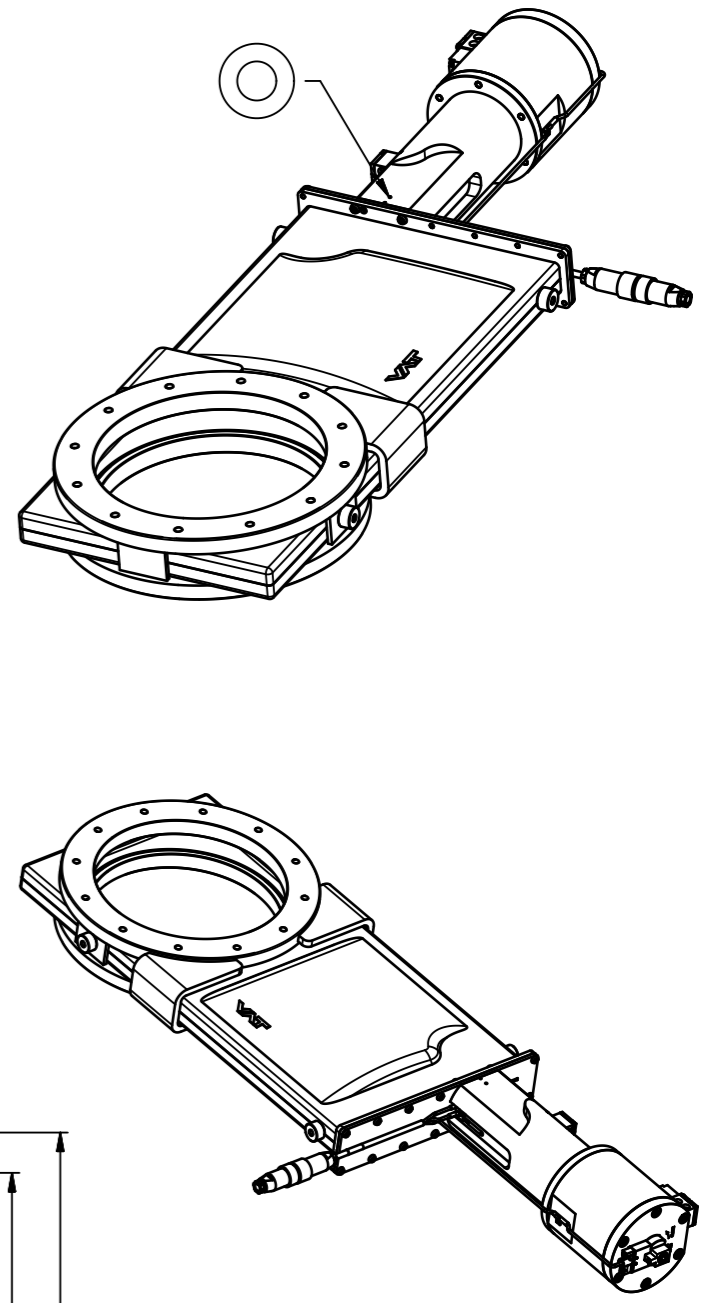
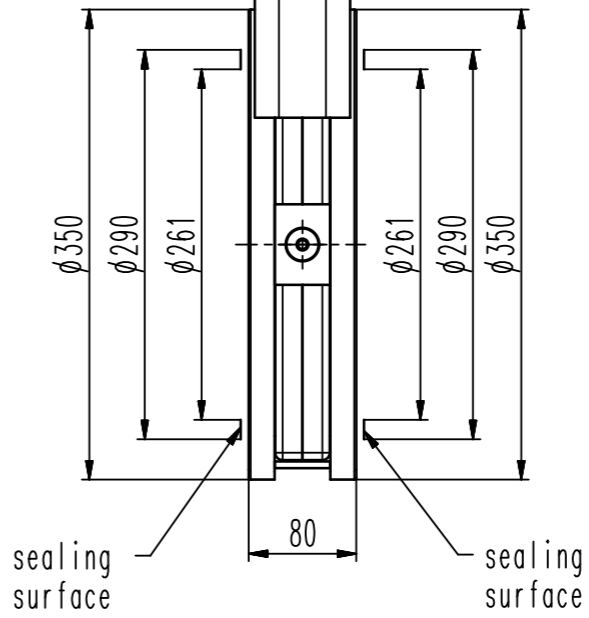
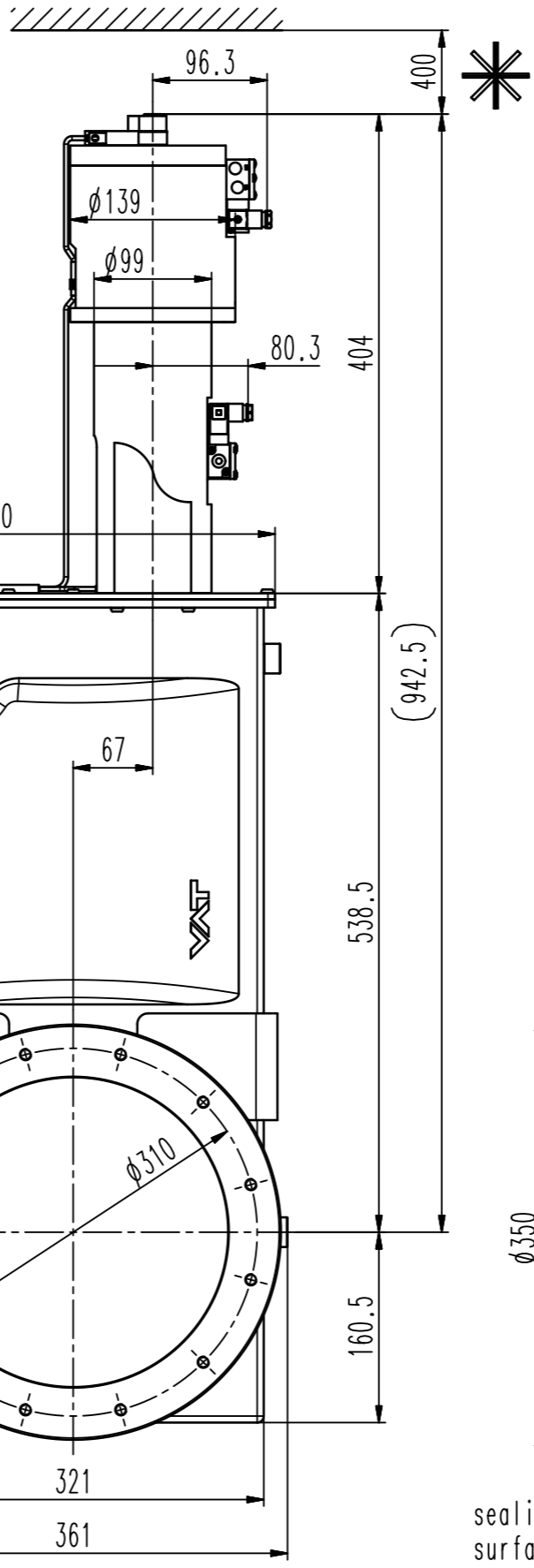
cable tied together
length 160mm

3-position
7 pin

2x M8
14 deep

12x M10
15 deep

2x M8
14 deep



- ▼ Seat side
- ⊙ Comp. air connection
- ⊙ Electrical connection
- ⊙ Leak detection port
- ⊙ Mech. pos. indication
- ⊙ Position indicator
- ⊙ Required for dismantling
- ⊙ Emergency actuation
- ⊙ For attachment
- ⊙ Bake-out area
- ⊙ Differential pumping port

HV gate valve with Bellows



VAT Vakuumventile AG
CH-9469 Haag, Switzerland
Tel ++41 81 7716161 Fax ++41 81 7714830

Rev.-Date: 28.09.10
Visa: RYU

Series	110	Ordering No.	11048-PE48-0001
Projection E	DN	Flange	
	250	ISO-F	
Dimensional Drawing	462593	Rev.	