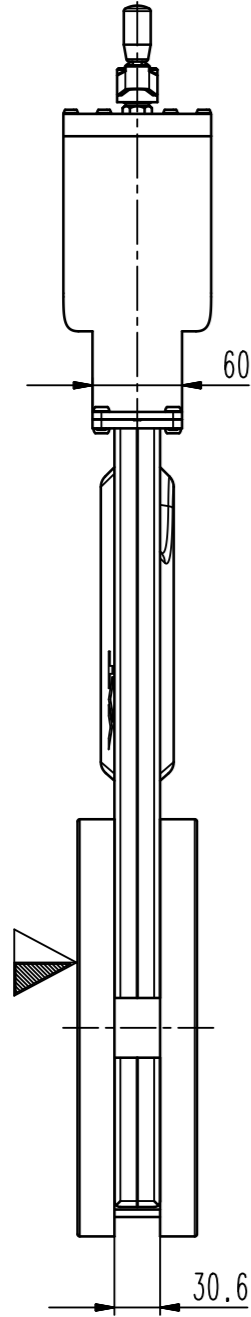


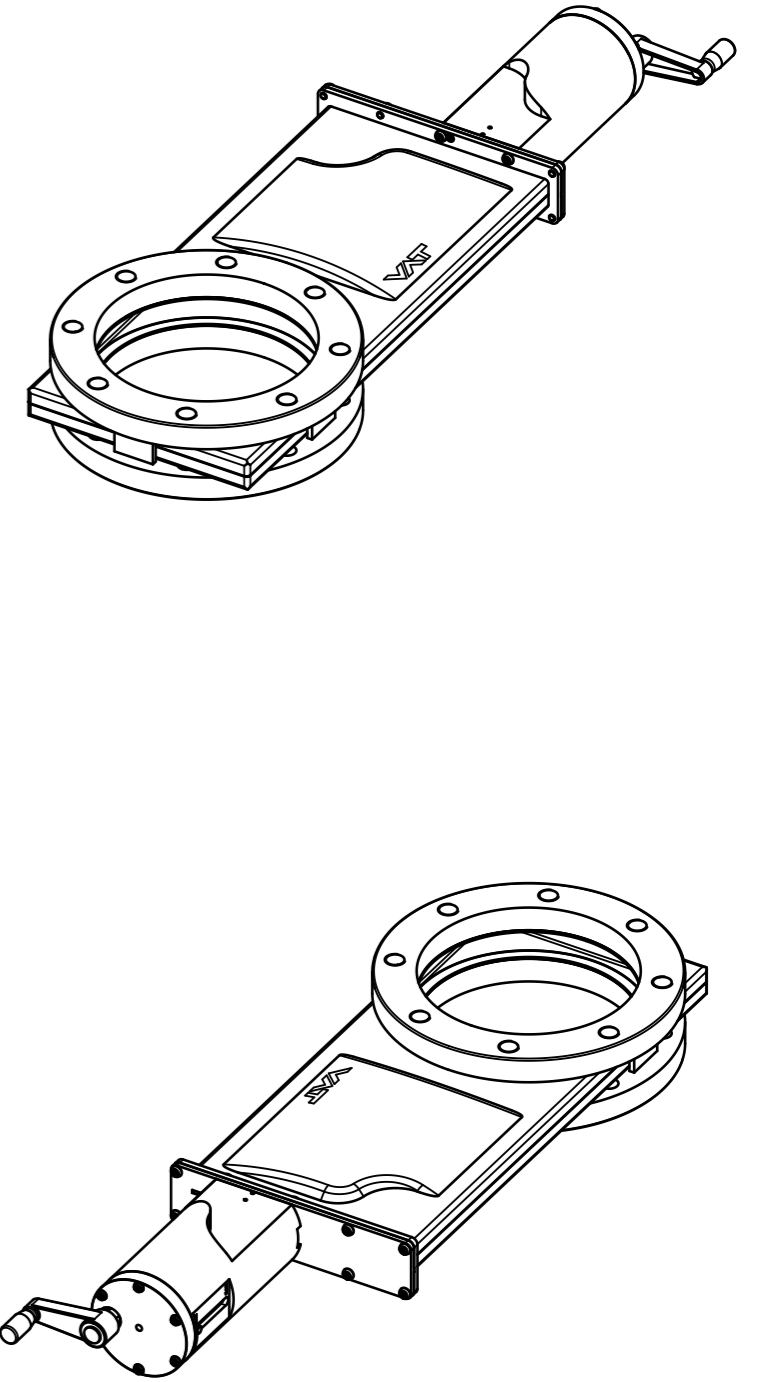
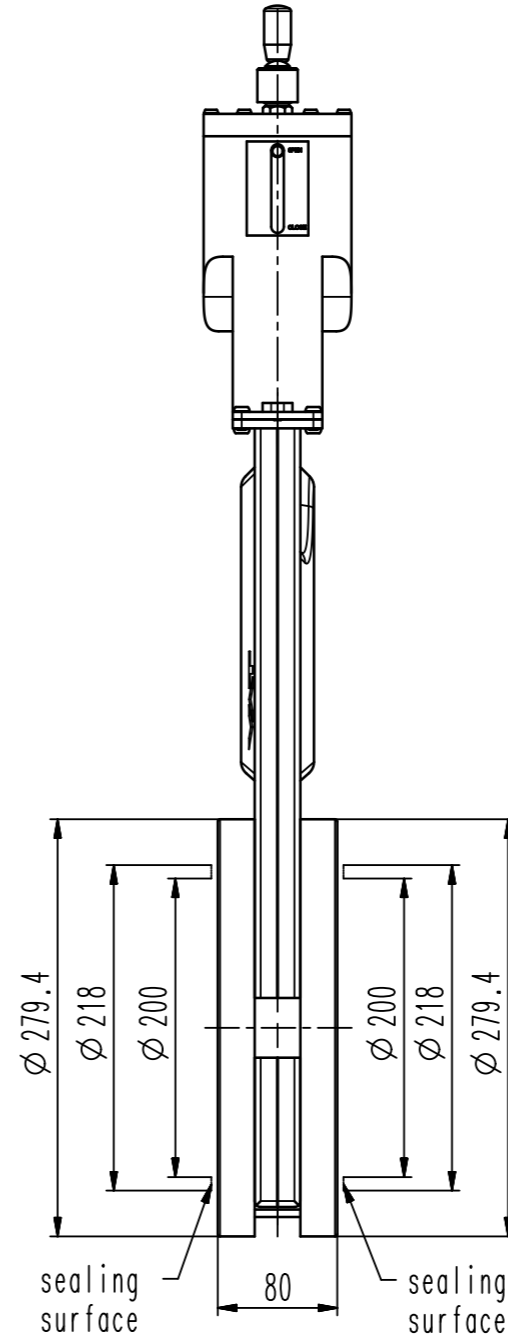
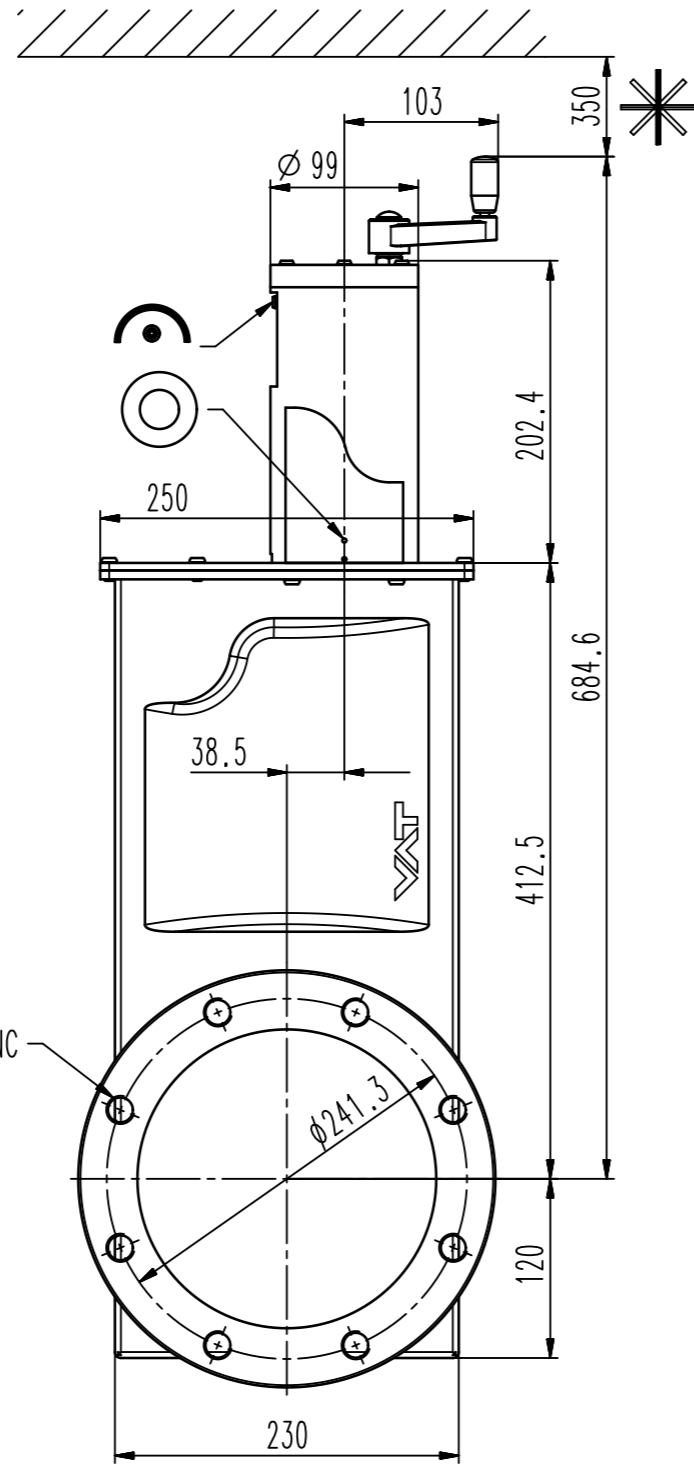
This drawing is the property of VAT.

Revision

Customer number



8x 3/4"-10 UNC
19 deep



- ▼ Seat side
- ⊙ Comp. air connection
- ⊙ Electrical connection
- ⊙ Leak detection port
- ⊙ Mech. pos. indication
- ⊙ Position indicator
- ⊙ * Required for dismantling
- ⊙ Emergency actuation
- ⊙ For attachment
- ⊙ Bake-out area
- ⊙ Differential pumping port

HV gate valve with Bellows



VAT Vakuumentile AG
CH-9469 Haag, Switzerland
Tel ++41 81 7716161 Fax ++41 81 7714830

Date: 25.02.11
Name: RYU

Series	110	Ordering No.	11046-TE01-0002
Projection E	DN	Flange	ASA-LP
	200		
Dimensional Drawing	481461	Rev.	