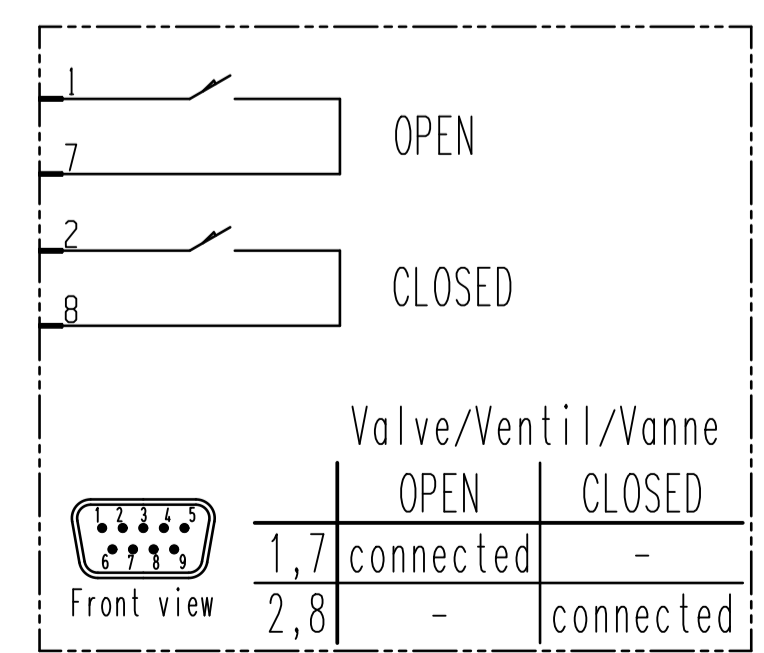
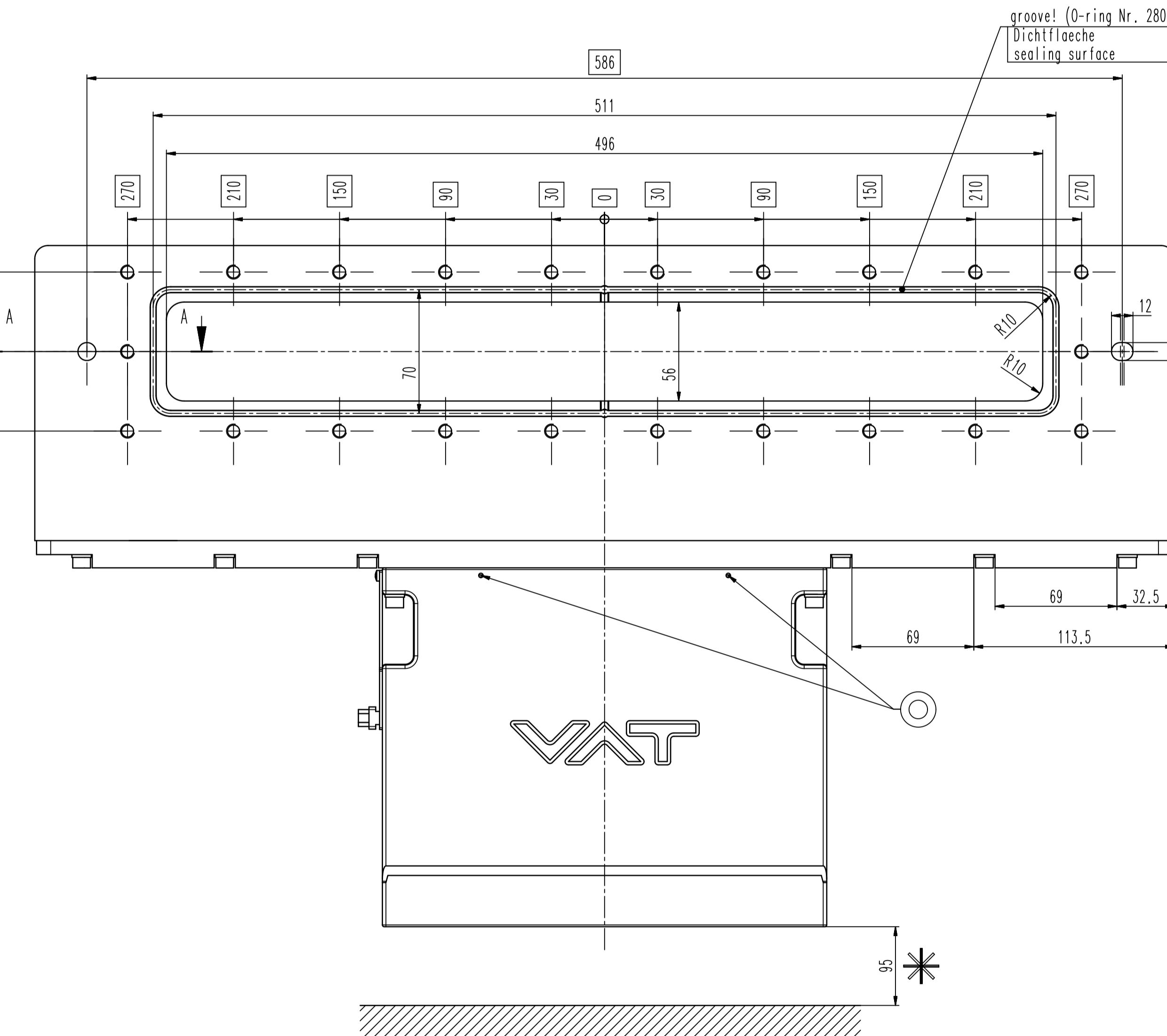
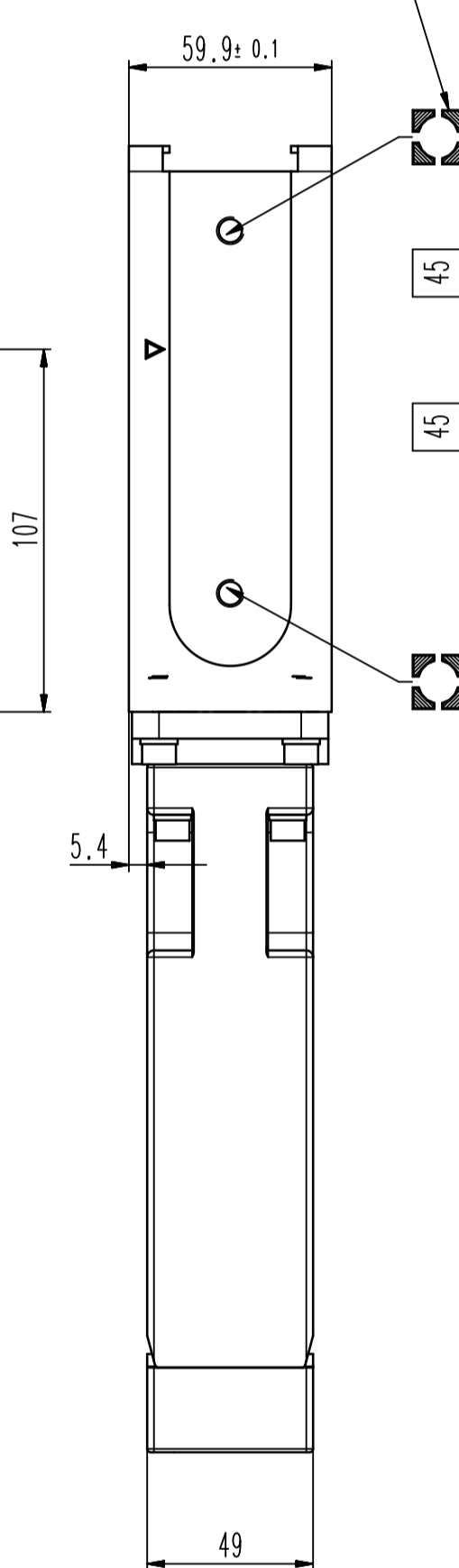


M8 - 15 deep (4x)
Lifting point suitable for
eye bolt DIN580:2003



Seat side = flange A
Rear side = flange B

<ul style="list-style-type: none"> Seat side Comp. air connection Electrical connection Leak detection port Mech. pos. indication Position indicator Required for dismantling Emergency actuation For attachment Bake-out area Differential pumping port 	Rectangular gate valve MONOVAT direct	Series 022	Ordering No. 02213-BA24-0002	
		Projection E	Flange DN	
			56x496	B
			507281	Rev
VAT Vakuumventile AG CH-9449 Haag, Switzerland Tel ++41 81 7716161 Fax ++41 81 7714830		Rev.-Date: 09.09.11	Visa: HARA	

Customer number

Revision