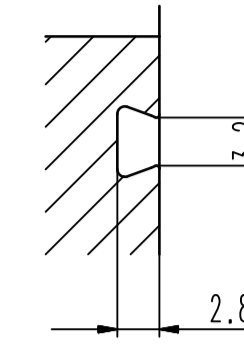
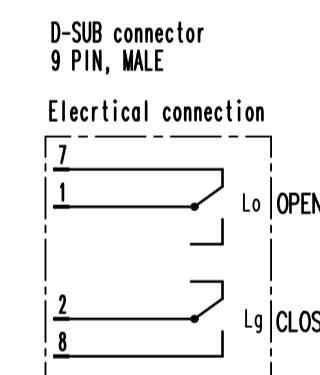
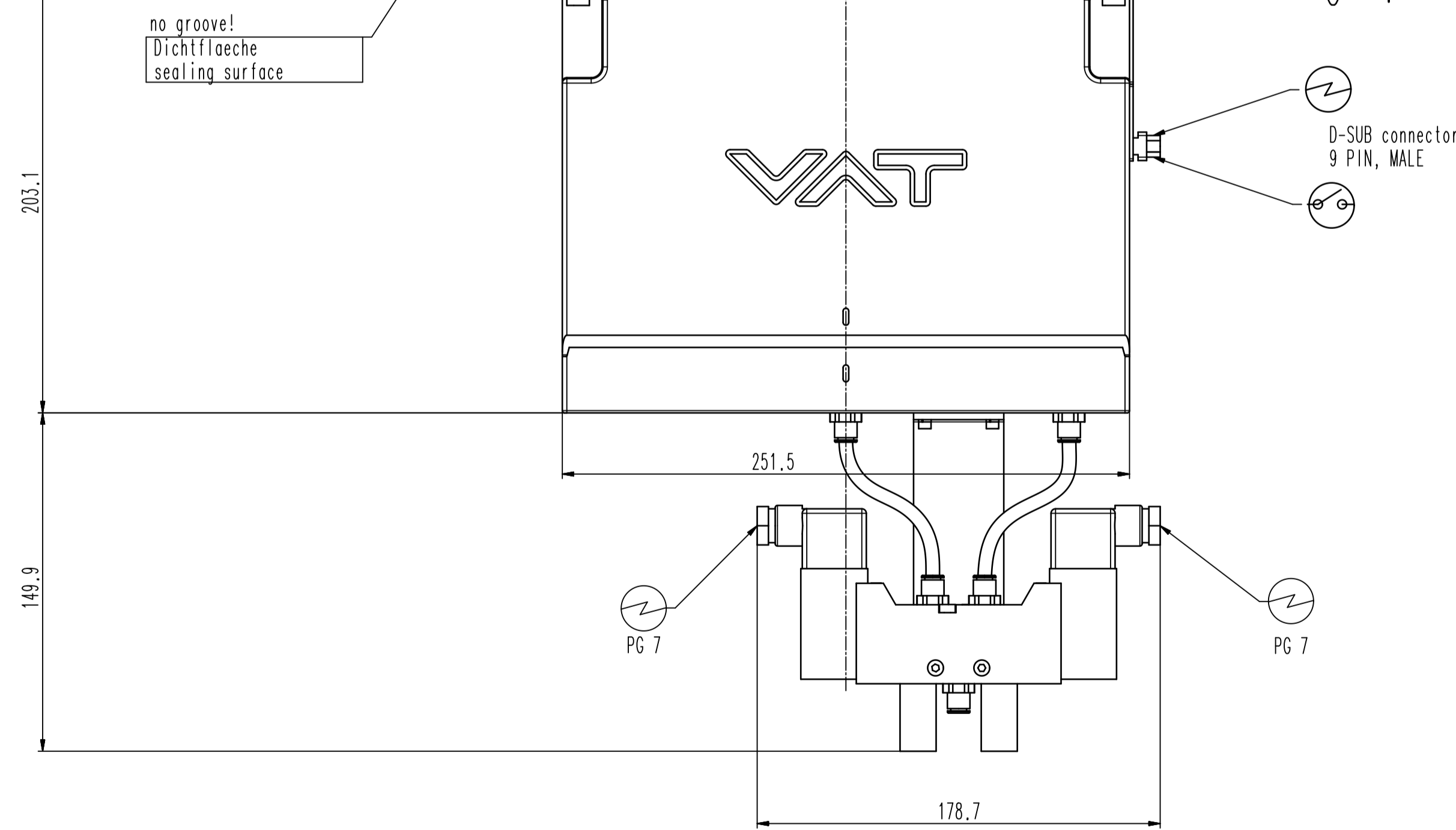
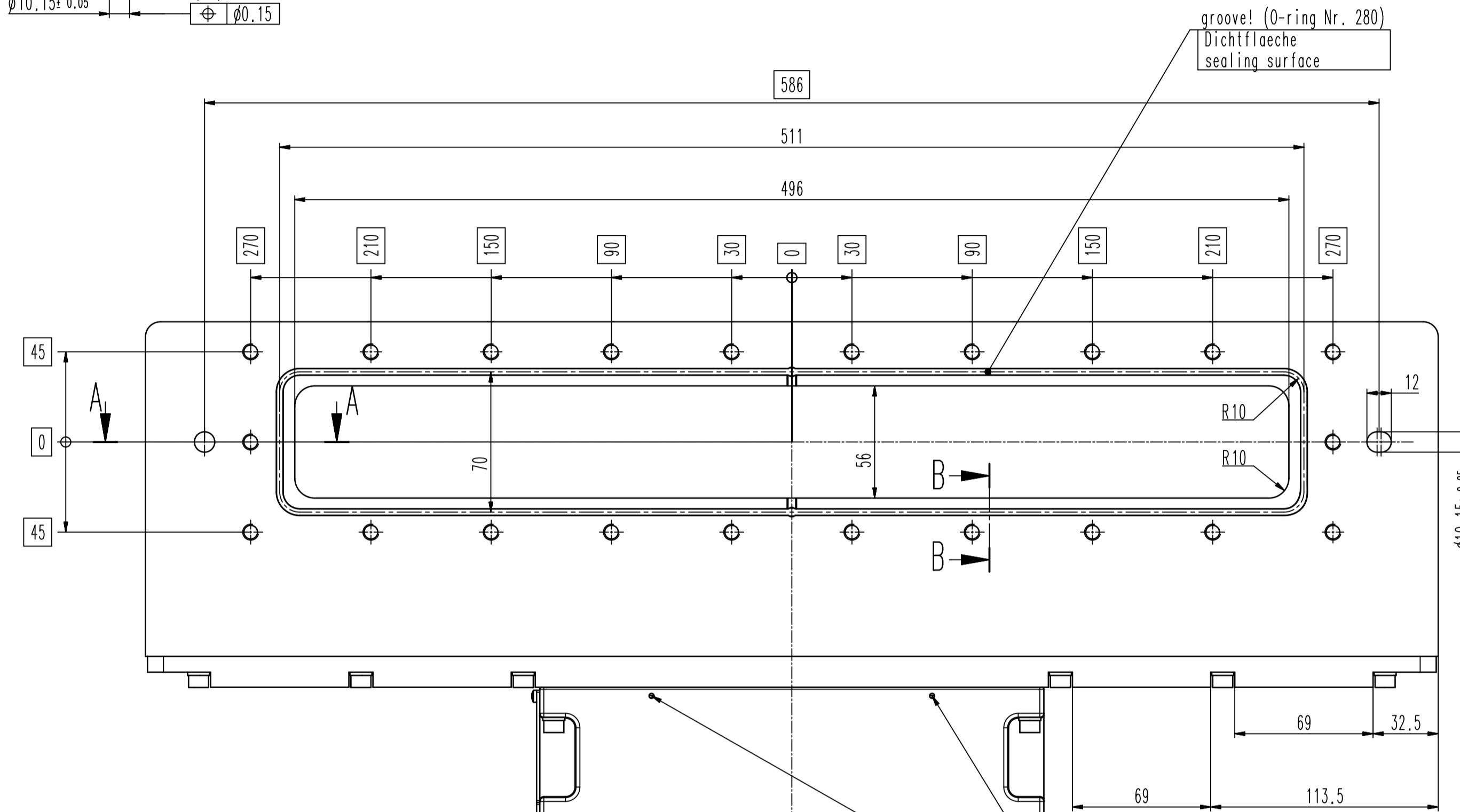
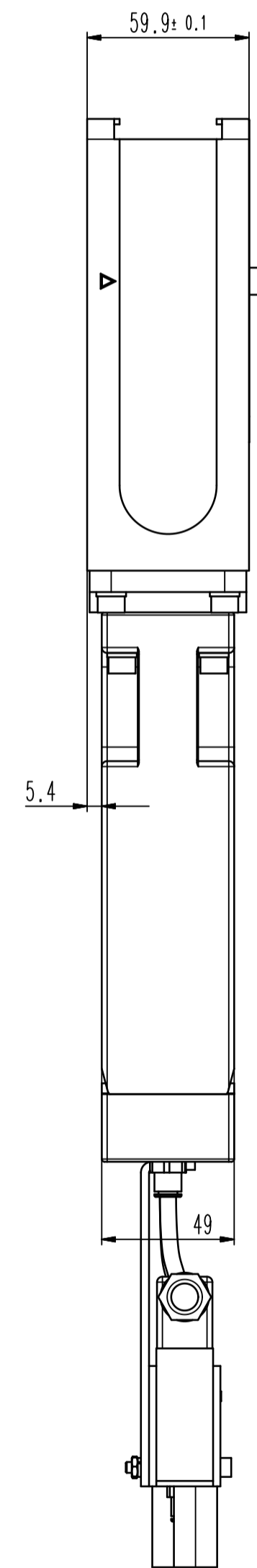
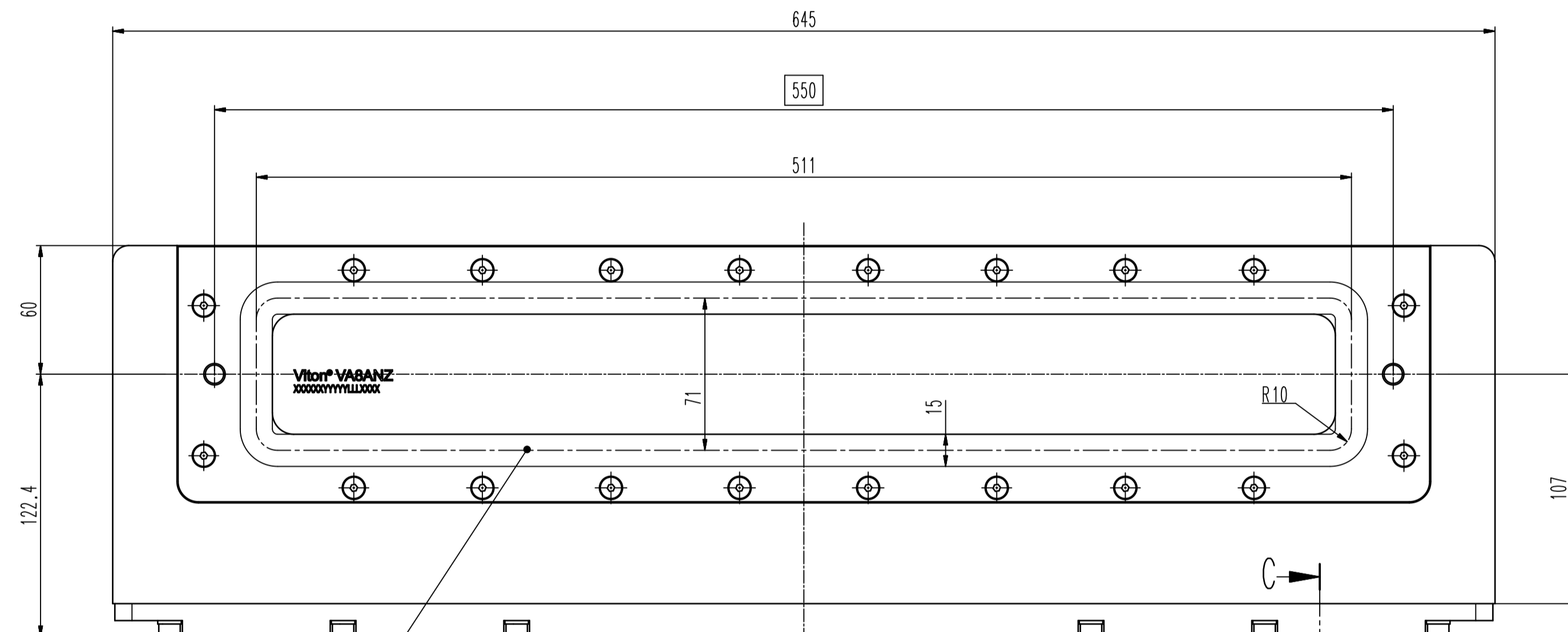
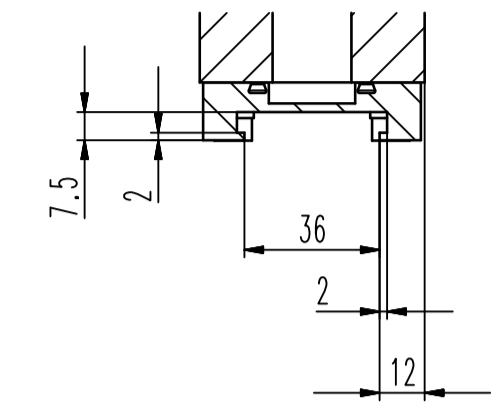


B-B



C-C



Position	Wire	Wire
Switch	Open	Close
Lg	PN 1-7	PN 2-8

Seat side = flange A  
Rear side = flange B

<ul style="list-style-type: none"> <li>▽ Seat side</li> <li>○ Comp. air connection</li> <li>⊕ Electrical connection</li> <li>⊖ Leak detection port</li> <li>⊙ Mech. pos. indication</li> <li>⊙ Position indicator</li> <li>⊙ Required for dismantling</li> <li>⊙ Emergency actuation</li> <li>⊙ For attachment</li> <li>⊙ Bake-out area</li> <li>⊙ Differential pumping port</li> </ul>	<b>Rectangular gate valve MONOVAT direct</b>	Series 022	Ordering No. 02213-AA44-0002
		Projection E DN	Flange A
	<b>VAT</b> Vakuumentile AG CH-9449 Haag, Switzerland Tel ++41 81 7716161 Fax ++41 81 7714830	Date: 15.11.11 Name: GREER	Dimensional Drawing 516972
		Rev	

Customer number  
Revision