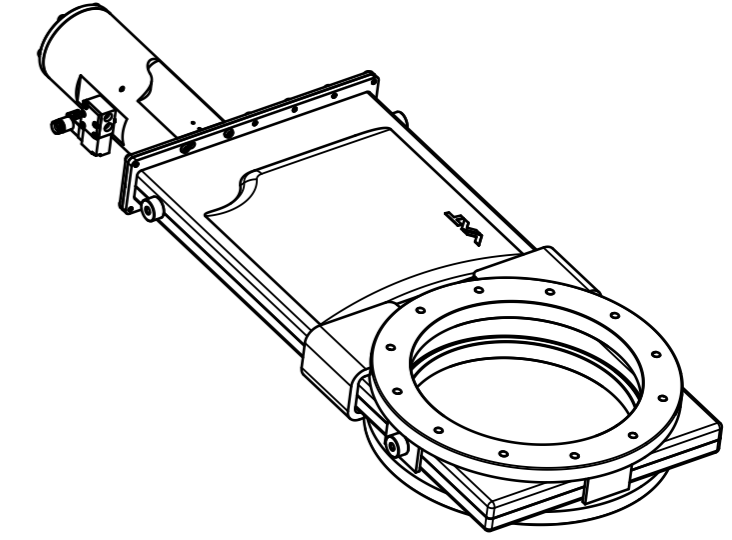
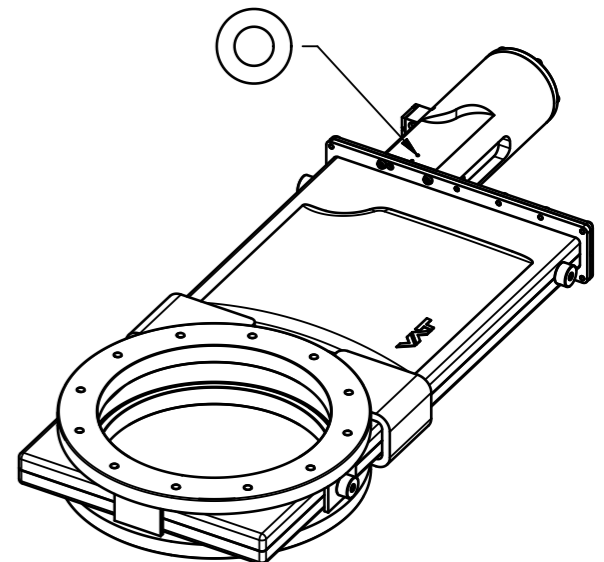
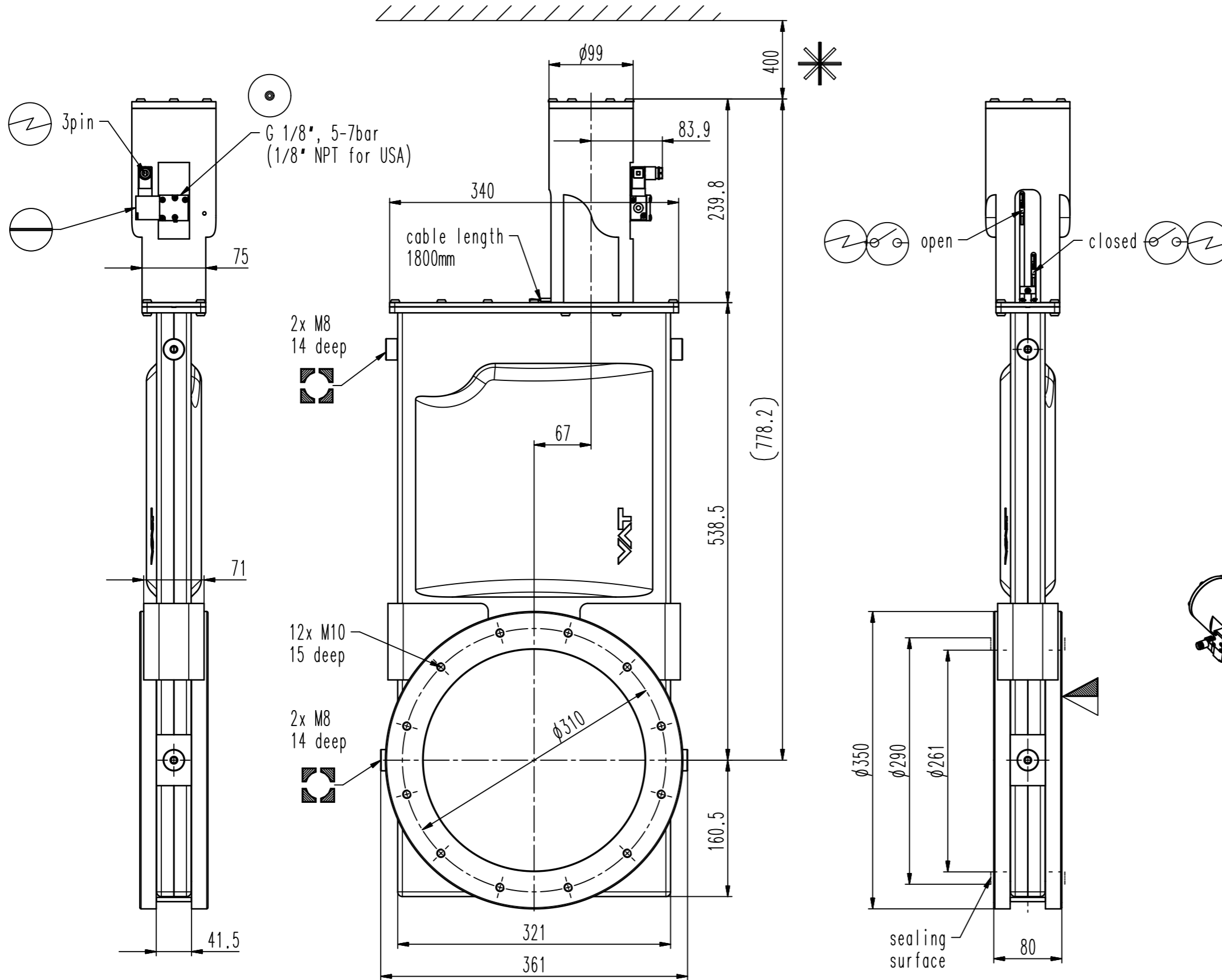


This drawing is the property of VAT.

Revision

Customer number



- ▼ Seat side
- ⊕ Comp. air connection
- ⊖ Electrical connection
- ⊙ Leak detection port
- ⊚ Mech. pos. indication
- ⊛ Position indicator
- ⊜ Required for dismantling
- ⊝ Emergency actuation
- ⊞ For attachment
- ⊟ Bake-out area
- ⊠ Differential pumping port

### HV gate valve with Bellows



VAT Vakuumventile AG  
 CH-9469 Haag, Switzerland  
 Tel ++41 81 7716161 Fax ++41 81 7714830

Rev.-Date: 29.02.12  
 Visa: RYU

Series	110	Ordering No.	11048-PE44-0003
Projection E	DN	Flange	ISO-F
	250		
Dimensional Drawing	529715	Rev.	