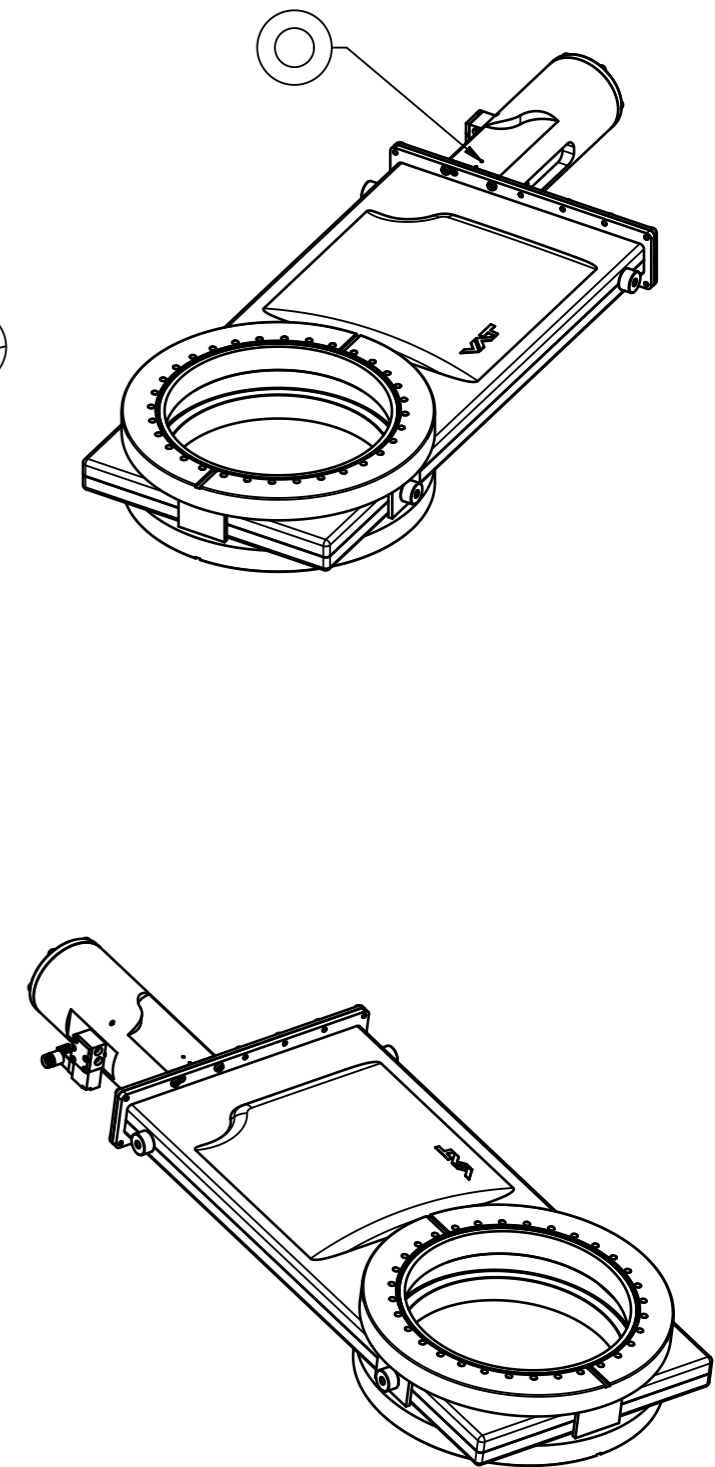
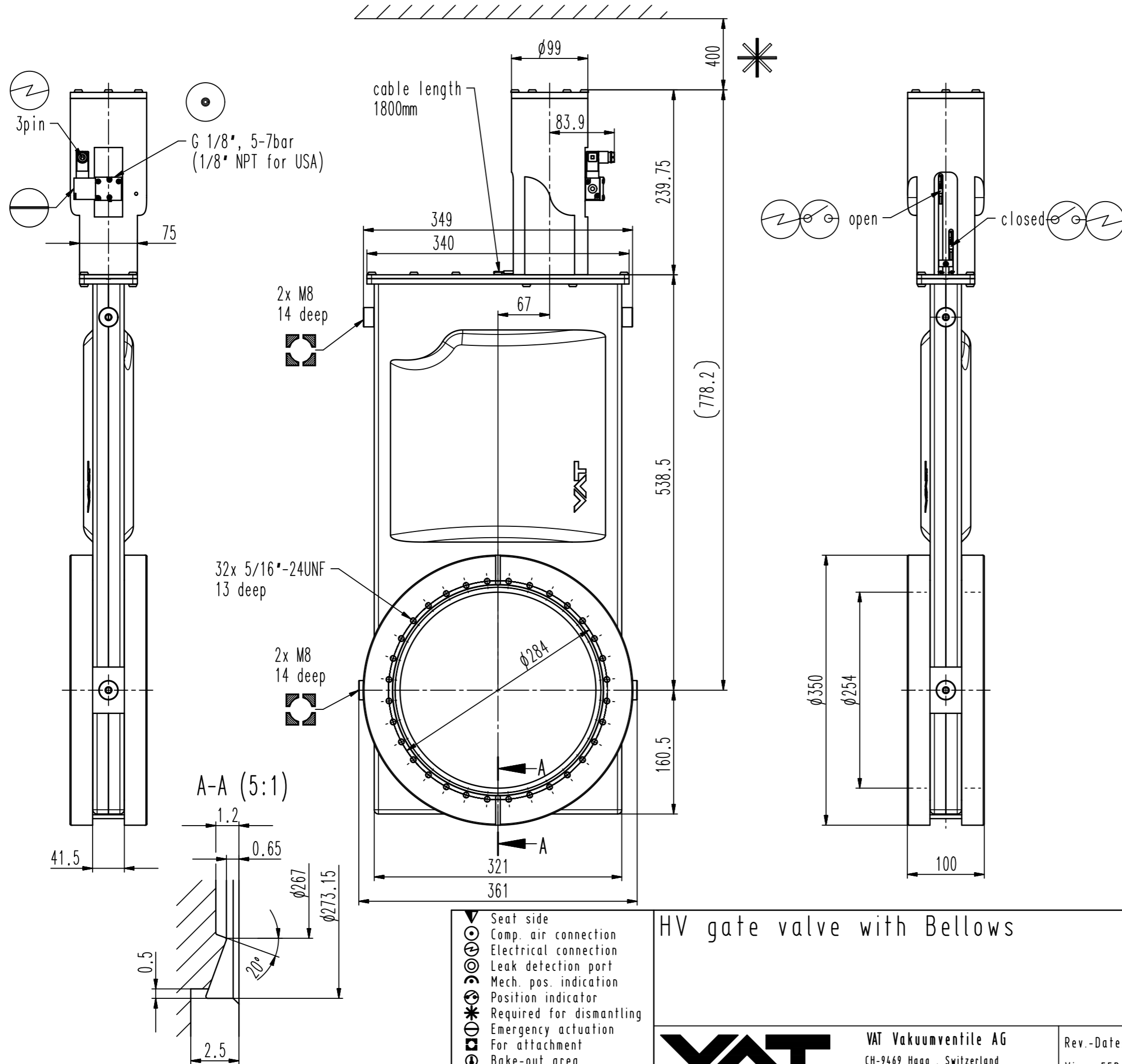


This drawing is the property of VAT.

Revision

Customer number



- ▼ Seat side
- ⊕ Comp. air connection
- ⊕ Electrical connection
- ⊕ Leak detection port
- ⊕ Mech. pos. indication
- ⊕ Position indicator
- ⊕ Required for dismantling
- ⊕ Emergency actuation
- ⊕ For attachment
- ⊕ Bake-out area
- ⊕ Differential pumping port

HV gate valve with Bellows



VAT Vakuumventile AG
 CH-9469 Haag, Switzerland
 Tel ++41 81 7716161 Fax ++41 81 7714830

Rev.-Date: 11.04.12
 Visa: FER

Series	110	Ordering No.	11048-UE44-0003
Projection E	DN	Flange	
	250	CF-F UNF	
Dimensional Drawing	535506	Rev.	