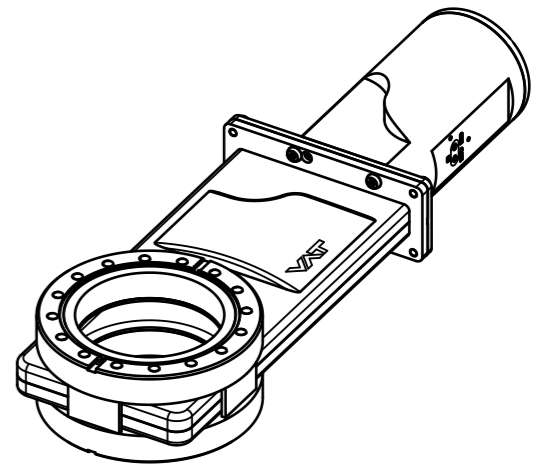
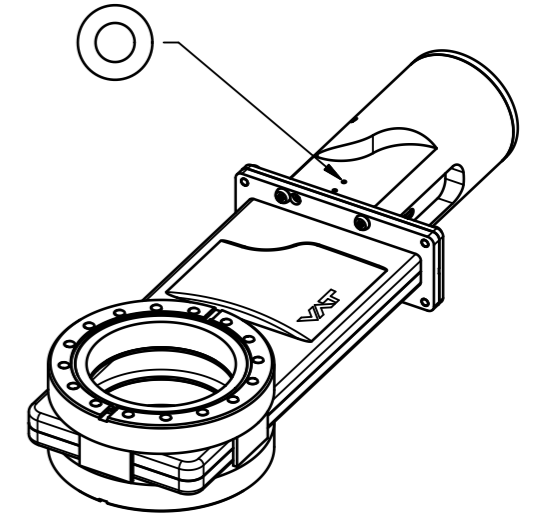
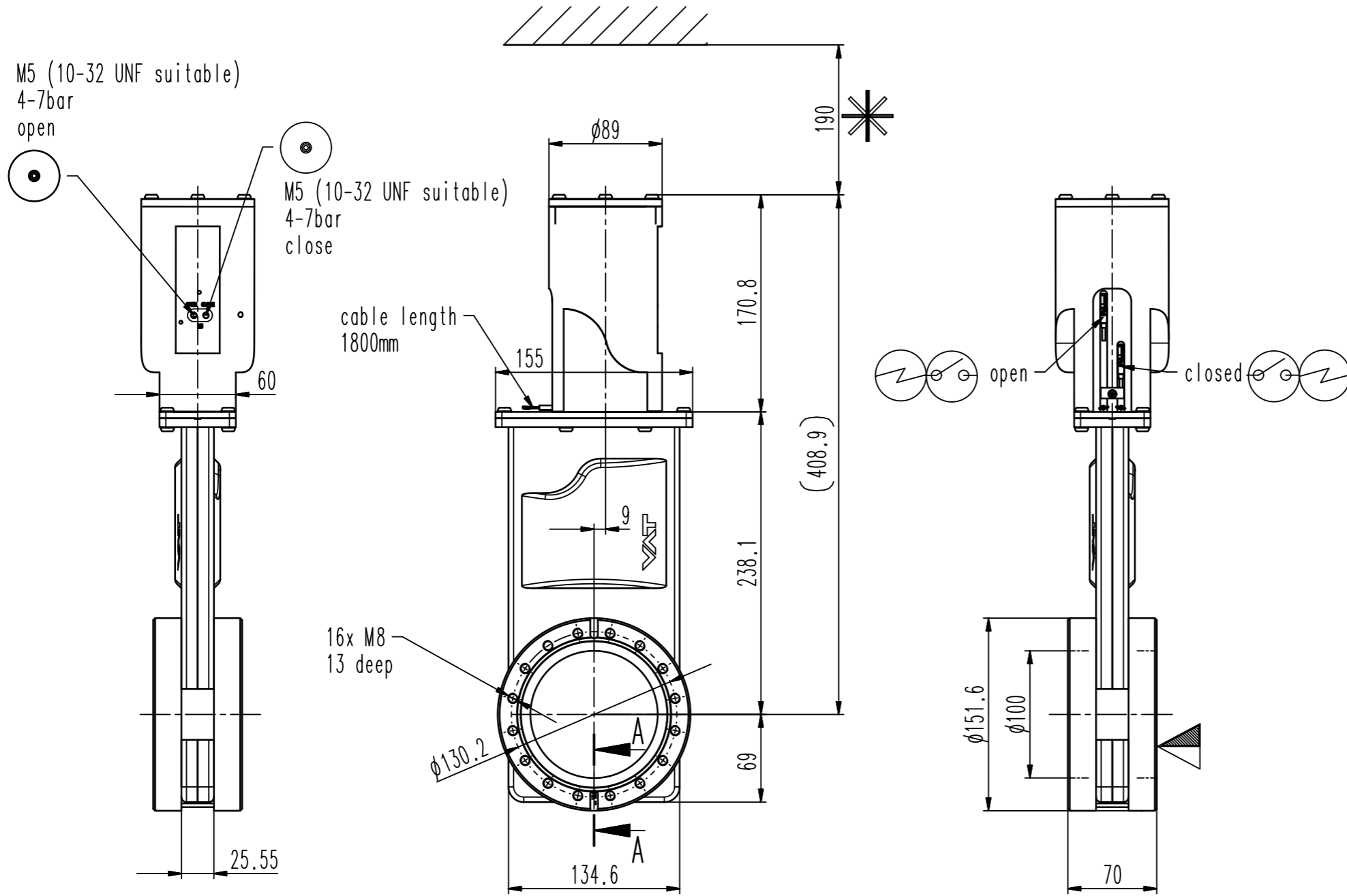
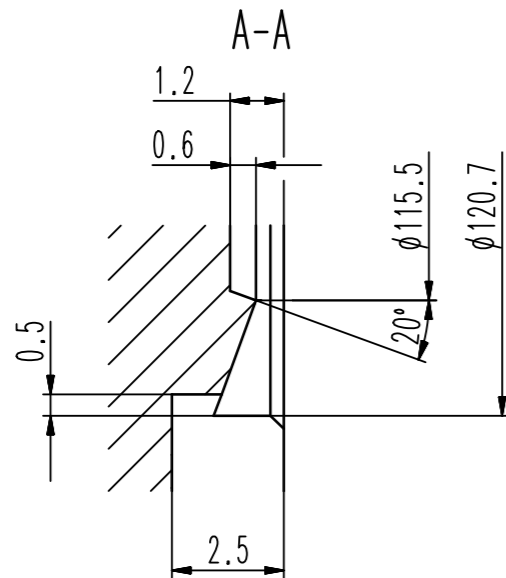


M5 (10-32 UNF suitable)
4-7bar
open

M5 (10-32 UNF suitable)
4-7bar
close

cable length
1800mm

16x M8
13 deep



- ▼ Seat side
- ⊙ Comp. air connection
- ⊙ Electrical connection
- ⊙ Leak detection port
- ⊙ Mech. pos. indication
- ⊙ Position indicator
- ⊙ * Required for dismantling
- ⊙ Emergency actuation
- ⊙ For attachment
- ⊙ Bake-out area
- ⊙ Differential pumping port

HV gate valve with Bellows



VAT Vakuumventile AG
CH-9469 Haag, Switzerland
Tel ++41 81 7716161 Fax ++41 81 7714830

Rev.-Date: 18.04.12
Visa: FER

Series	110	Ordering No.	11040-CE24-0002
Projection E	DN	Flange	
	100	CF-F m	
Dimensional Drawing	536685	Rev.	