

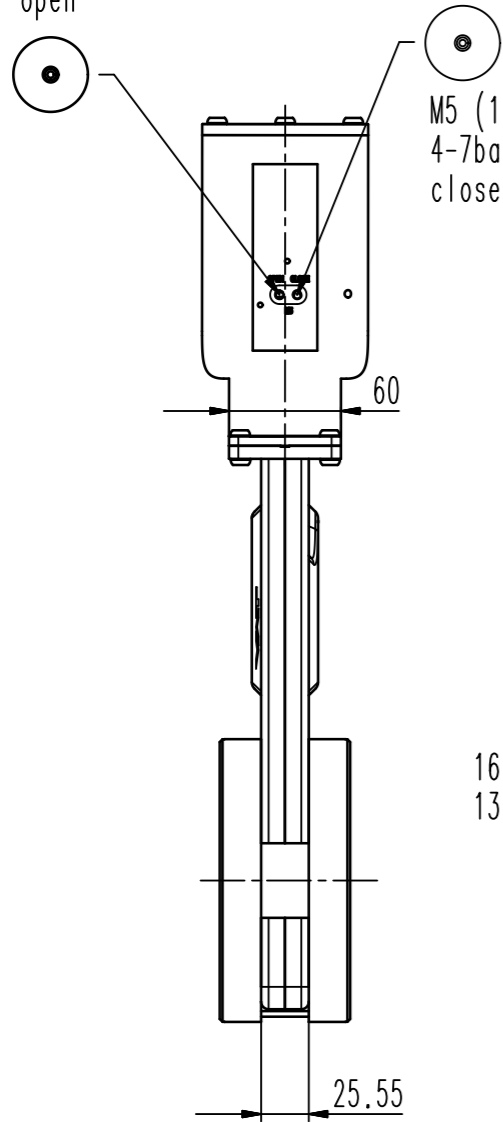
This drawing is the property of VAT.

Revision

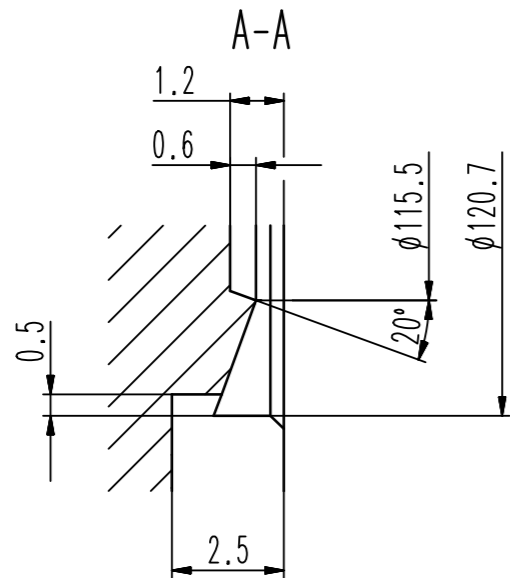
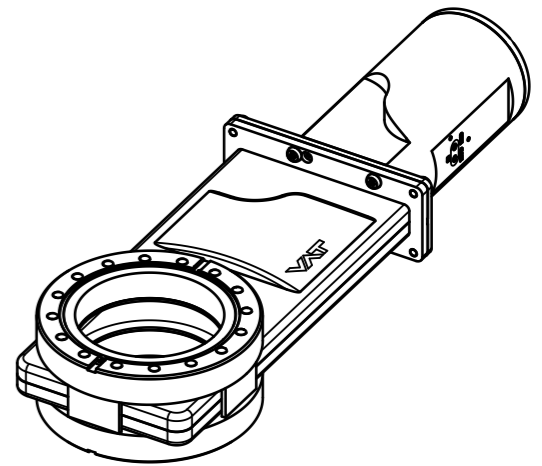
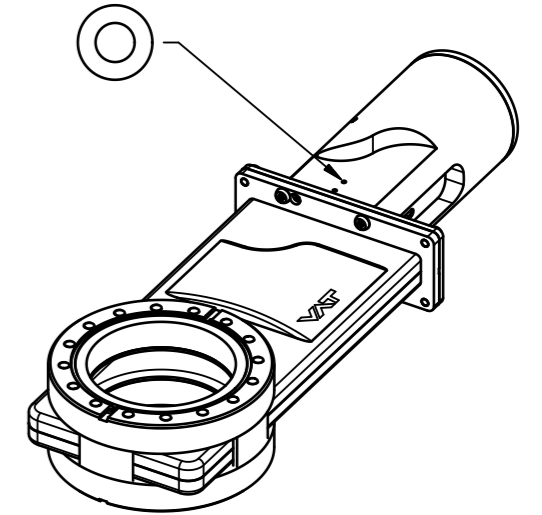
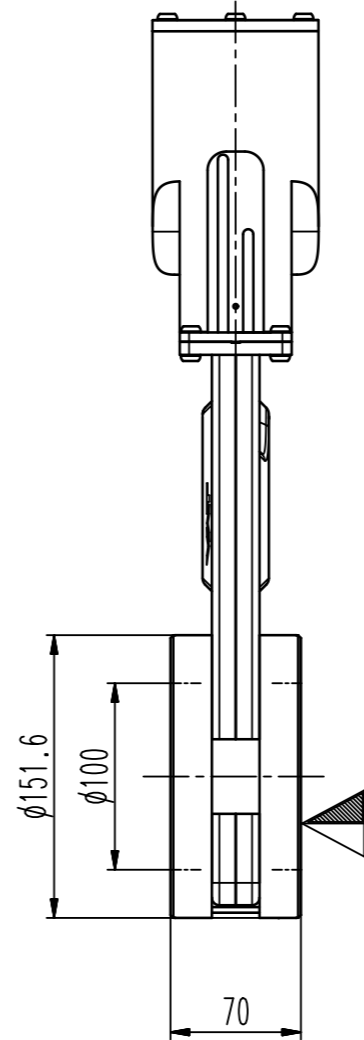
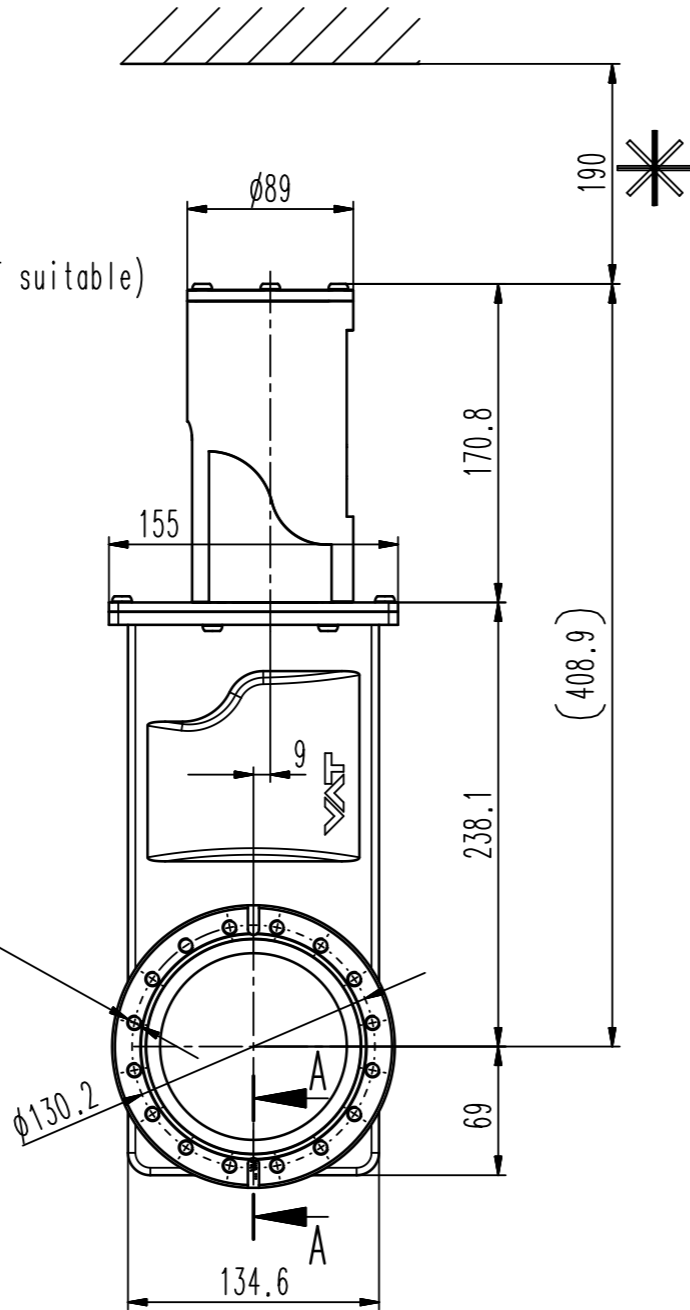
Customer number

M5 (10-32 UNF suitable)
4-7bar
open

M5 (10-32 UNF suitable)
4-7bar
close



16x M8
13 deep



- ▼ Seat side
- ⊙ Comp. air connection
- ⊙ Electrical connection
- ⊙ Leak detection port
- ⊙ Mech. pos. indication
- ⊙ Position indicator
- ⊙ * Required for dismantling
- ⊙ Emergency actuation
- ⊙ For attachment
- ⊙ Bake-out area
- ⊙ Differential pumping port

HV gate valve with Bellows



VAT Vakuumventile AG

CH-9469 Haag, Switzerland
Tel ++41 81 7716161 Fax ++41 81 7714830

Rev.-Date: 17.12.12

Visa: WAR

Series	110	Ordering No.	11040-CE14-0001
Projection E	DN	Flange	
	100	CF-F m	
Dimensional Drawing		570711	Rev.