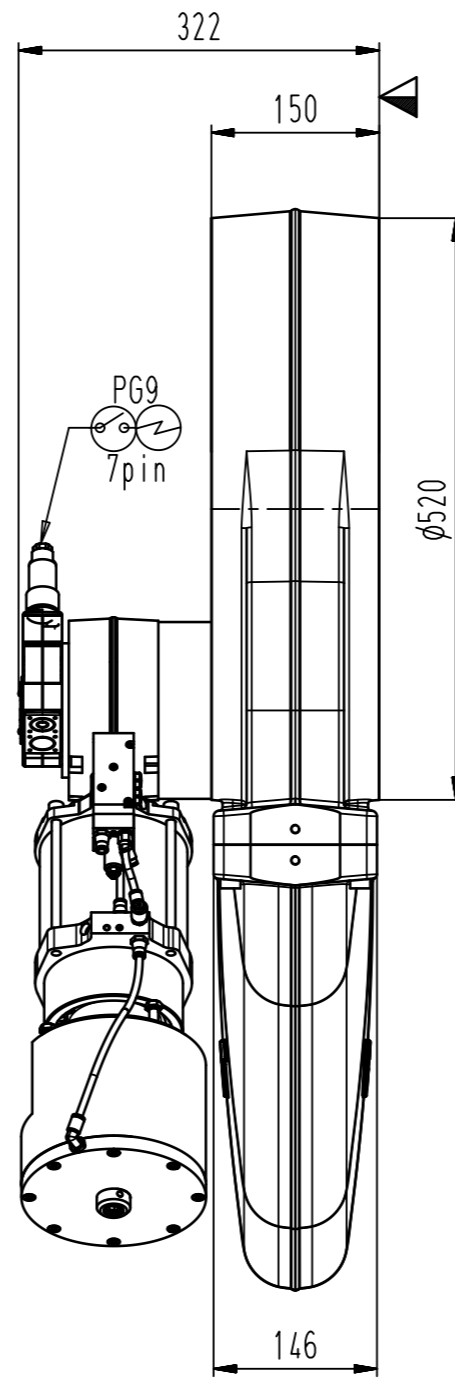
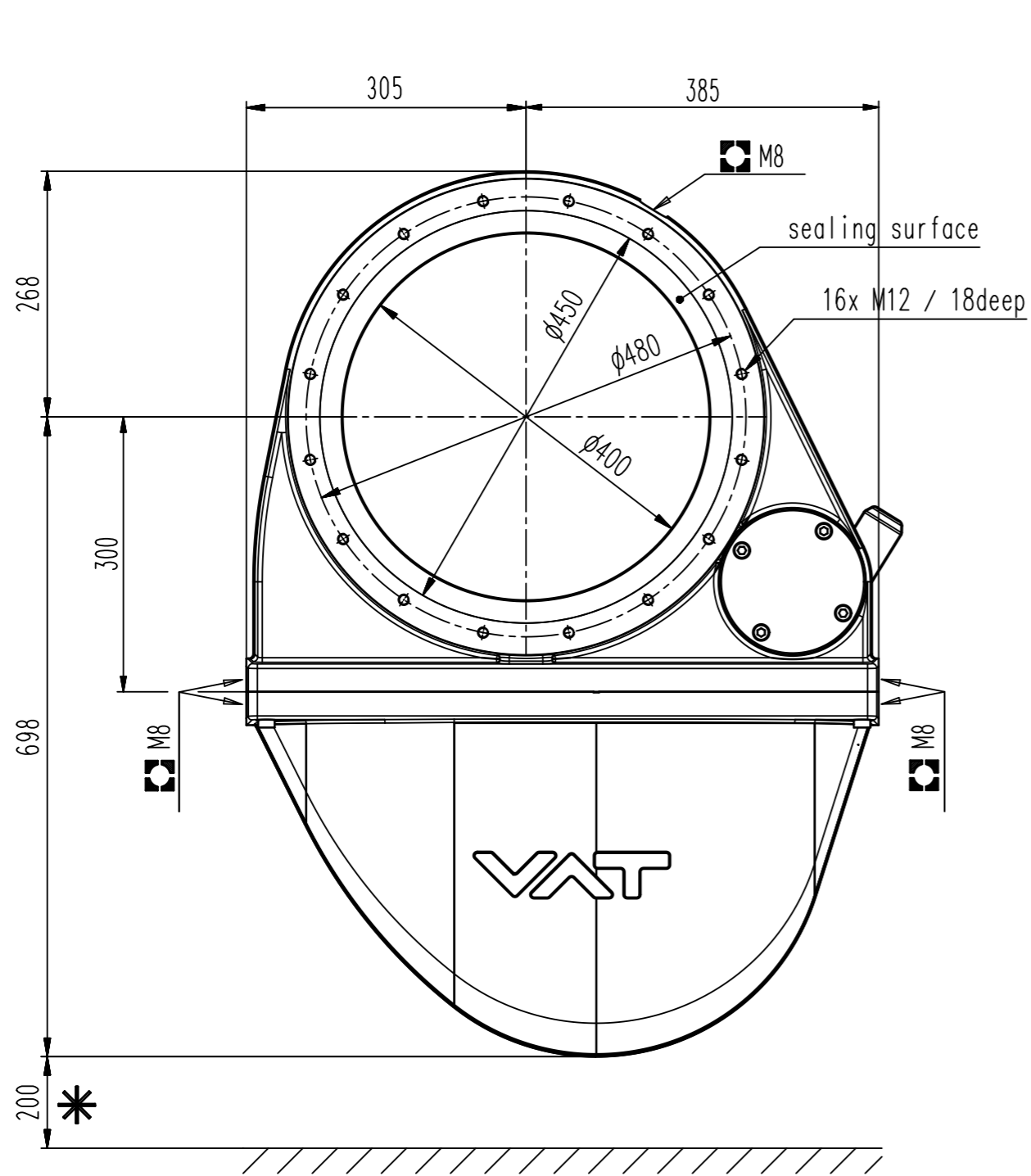


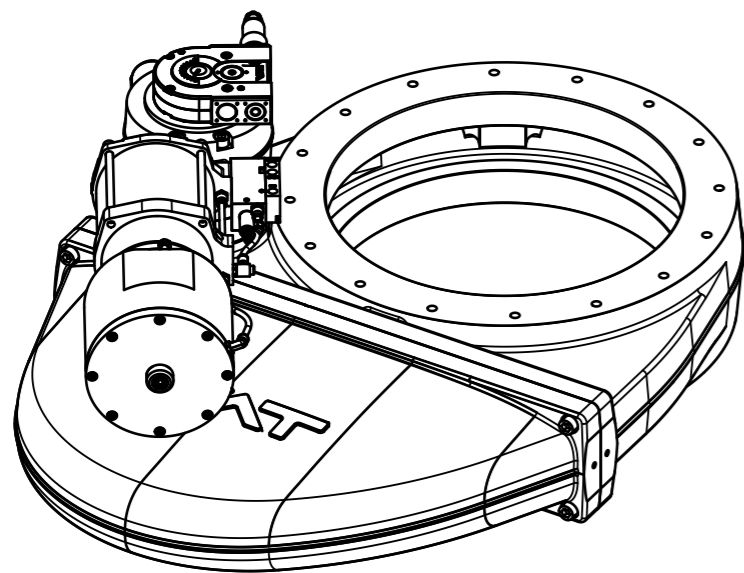
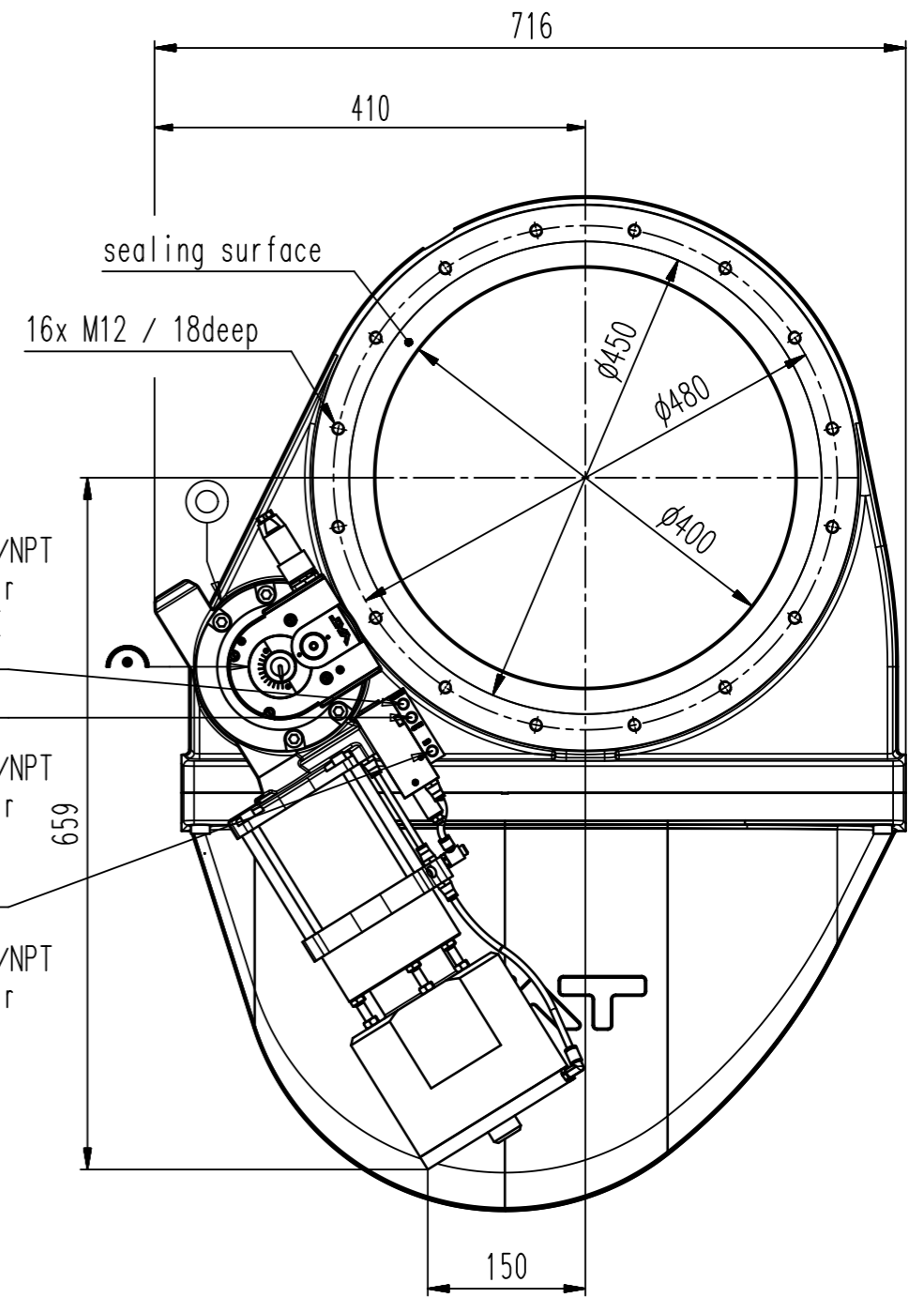
This drawing is the property of VAT.

Revision

Customer number



- 1/8" ISO/NPT
5-7 bar
CLOSE
- 1/8" ISO/NPT
5-7 bar
OPEN
- 1/8" ISO/NPT
5-7 bar
MID



- ▼ Seat side
- ⊙ Comp. air connection
- ⊙ Electrical connection
- ⊙ Leak detection port
- ⊙ Mech. pos. indication
- ⊙ Position indicator
- ⊙ * Required for dismantling
- ⊙ Emergency actuation
- ⊙ For attachment
- ⊙ Bake-out area
- ⊙ Differential pumping port

Large pendulum valves



VAT Vakuumventile AG

CH-9469 Haag, Switzerland
Tel ++41 81 7716161 Fax ++41 81 7714830

Rev.-Date: 04.01.13

Visa: WAR

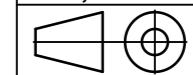
Series

168

Ordering No.

16852-PA28-0002

Projection E



DN

400

Flange

ISO-F

Dimensional
Drawing

571698

Rev.

VAT/DA