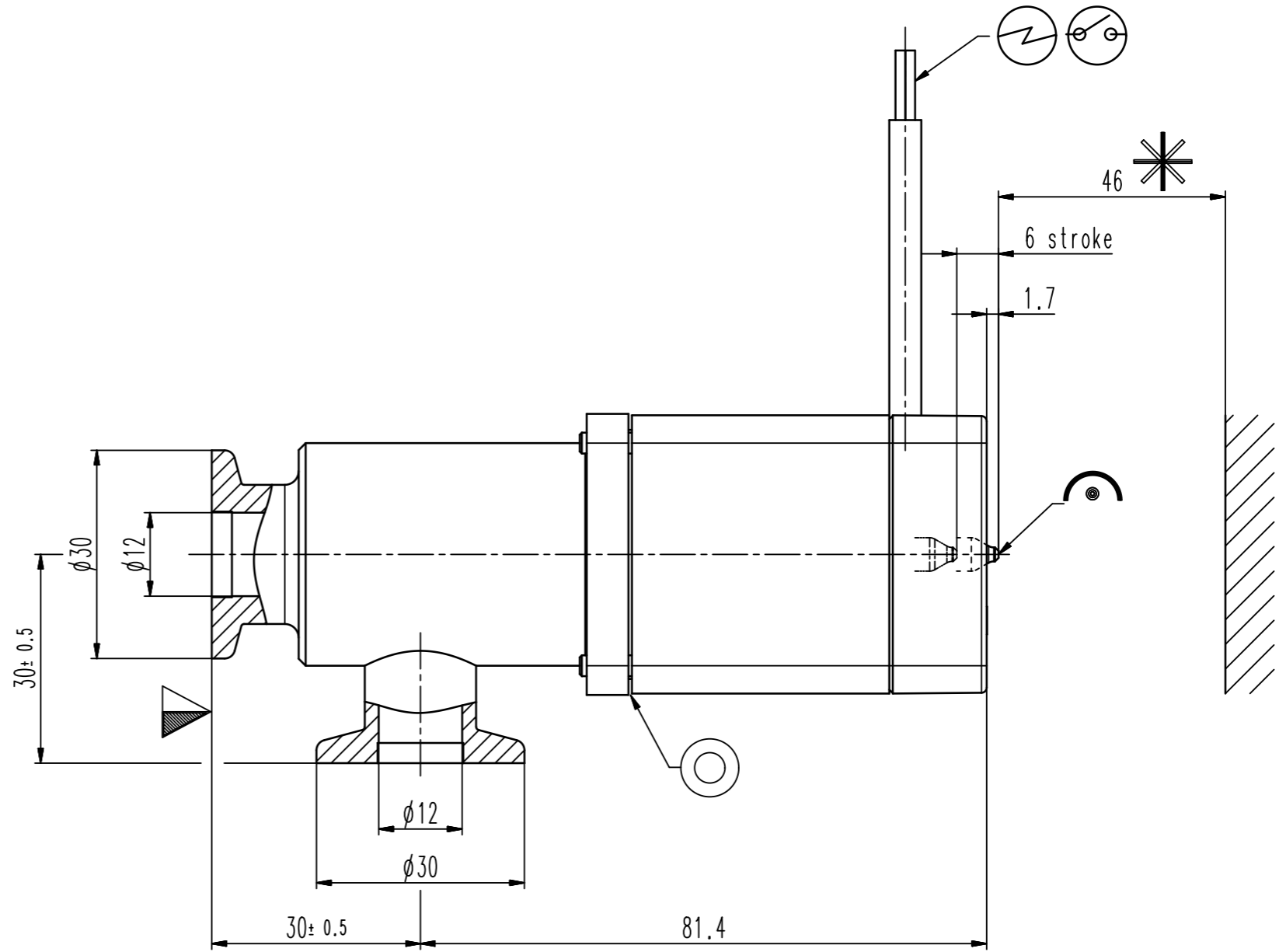
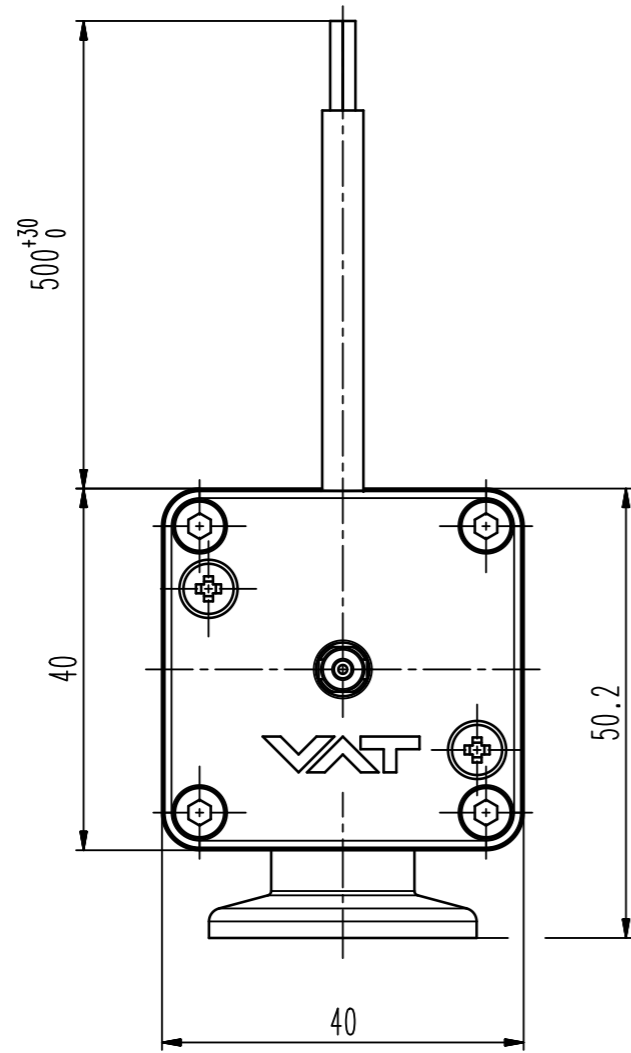


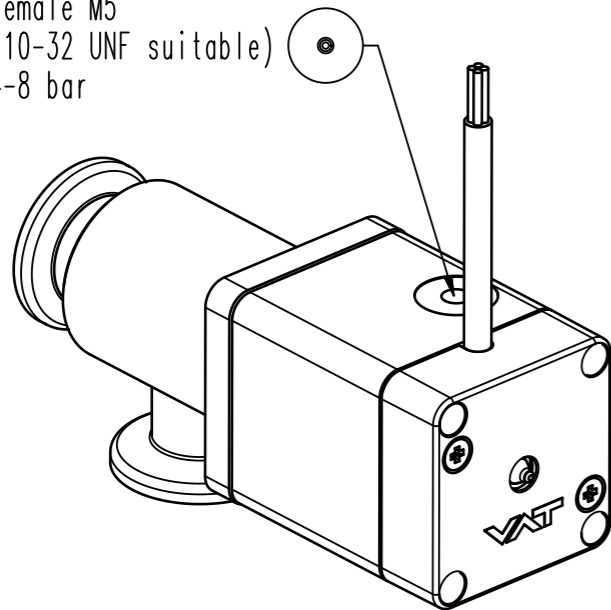
This drawing is the property of VAT.

Revision

Customer number



female M5
(10-32 UNF suitable)
4-8 bar



- ▼ Seat side
- ⊕ Comp. air connection
- ⊖ Electrical connection
- ⊙ Leak detection port
- ⊚ Mech. pos. indication
- ⊛ Position indicator
- ⊜ Required for dismantling
- ⊝ Emergency actuation
- ⊞ For attachment
- ⊟ Bake-out area
- ⊠ Differential pumping port

HV angle valve



VAT Vakuumventile AG

CH-9469 Haag, Switzerland
Tel ++41 81 7716161 Fax ++41 81 7714830

Rev.-Date: 21.06.13

Visa: WARO

Series	264	Ordering No.	26420-KE22-0001
Projection E	DN	Flange	
	10	ISO-KF	
Dimensional Drawing		599174	Rev.