



VAT Vakuumventile AG  
CH-9469 Haag, Schweiz

## Product data sheet

**HV angle valve, Series 264, DN 10 (ID 3/8")**  
**Ordering No. 26420-KE32-0001**

### Description

Flange	ISO-KF 10
Actuator	Pneumatic, single acting with opening spring – with solenoid valve – without position indicator
Feedthrough	Bellows

### Technical data

Leak rate	– Valve body – Valve seat	$< 1 \cdot 10^{-9}$ mbar ls <sup>-1</sup> $< 1 \cdot 10^{-9}$ mbar ls <sup>-1</sup>
Pressure range		$1 \cdot 10^{-8}$ mbar to 5 bar (abs)
Differential pressure on the plate	– in opening direction – in closing direction	$\leq 2$ bar $\leq 5$ bar
Differential pressure at opening		$\leq 1$ bar
Conductance (molecular flow)		3 ls <sup>-1</sup>
Closing time		$\leq 0.1$ sec.
Cycles until first service (Tmax 80°C, differential pressure max. 1 bar)		3 million (unheated and under clean conditions)
Temperature (Maximum values: depending on operating conditions and sealing materials)	– Valve body – Actuator – Solenoid valve	$\leq 150$ °C $\leq 120$ °C $\leq 80$ °C
Material	– Valve body – Actuator – Plate – Bellows	AISI 304 (1.4301) Aluminum AISI 316L (1.4435 ESU) AISI 316L (1.4404, 1.4435), AISI 316 Ti (1.4571)
Seal	– Bonnet O-ring – Plate O-ring – Actuator O-ring	FKM (Viton®) FKM (Viton®) FKM (Viton®)
Weight		0.40 kg / 0.88 lbs
Mounting position		any
Volume of pneumatic actuator		0.004 l / 0.0001 ft <sup>3</sup>
Compressed air min. – max. overpressure		4 – 8 bar / 58 – 116 psi
Compressed air connection		M5 female (10-32 UNF suitable)

Created by: R. Walser	Release date: 2013-06-21	1 of 2
Modified by: A.Rietzler	Release date: 2013-09-06	<b>603041EB</b>



VAT Vakuumventile AG  
CH-9469 Haag, Schweiz

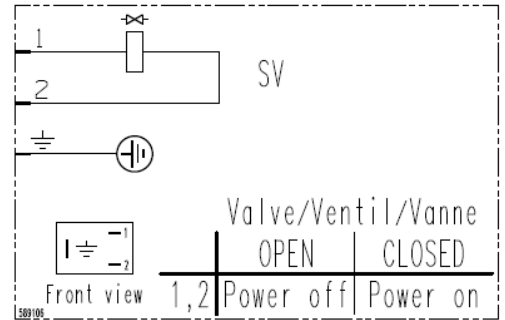
## Product data sheet

**HV angle valve, Series 264, DN 10 (ID 3/8")**  
**Ordering No. 26420-KE32-0001**

### Electrical connections

#### Solenoid valve

Type	3/2-way
Voltage	See solenoid
Power	See solenoid
Connector	Rectangle plug, Type B (DIN standard)
Cable	Ø6 – 8 mm



Wiring diagram