



VAT Vakuumventile AG  
CH-9469 Haag, Schweiz

## Product data sheet

**Vacuum inline valve, Series 245, DN 40 (ID 1 1/2")**  
**Ordering No. 24532-KE42-0001**

### Description

Flange	ISO-KF 40
Actuator	Pneumatic, single acting with opening spring – with solenoid valve – with position indicator “open” and “closed”
Feedthrough	Shaft feedthrough

### Technical data

Leak rate	– Valve body – Valve seat	$< 1 \cdot 10^{-9}$ mbar ls <sup>-1</sup> $< 1 \cdot 10^{-9}$ mbar ls <sup>-1</sup>
Pressure range		$1 \cdot 10^{-7}$ mbar to 5 bar (abs)
Differential pressure on the plate	– In opening direction – In closing direction	$\leq 2$ bar $\leq 5$ bar
Differential pressure at opening		$\leq 1$ bar $\leq 3$ bar with reduced cycle lifetime (min. 450 000)
Conductance (molecular flow)		45 ls <sup>-1</sup>
Closing time		$\leq 0.2$ sec.
Cycles until first service (Tmax 80°C, differential pressure max. 1 bar)		3 million
Admissible Temperature	– Valve body – Actuator – Solenoid valve – Position indicator	$\leq 150$ °C $\leq 120$ °C $\leq 80$ °C $\leq 80$ °C
Material	– Valve body – Actuator – Plate – Shaft feedthrough	AISI 304 (1.4301) Aluminum AISI 316L (1.4435 ESU) Stainless Steel
Seal	– Bonnet O-ring – Plate O-ring – Actuator O-ring	FKM (Viton®) FKM (Viton®) FKM (Viton®)
Weight		1.40 kg / 3.09 lbs
Mounting position		any
Volume of pneumatic actuator		0.035 l / 0.0012 ft <sup>3</sup>
Compressed air min. – max. overpressure		4 – 8 bar / 60 – 115 psi
Compressed air connection		M5 female (10-32 UNF suitable)

Created by: A. Rietzler	Release date: 2013-08-06	1 of 2
Modified by:	Release date:	<b>603511EA</b>



VAT Vakuumventile AG  
CH-9469 Haag, Schweiz

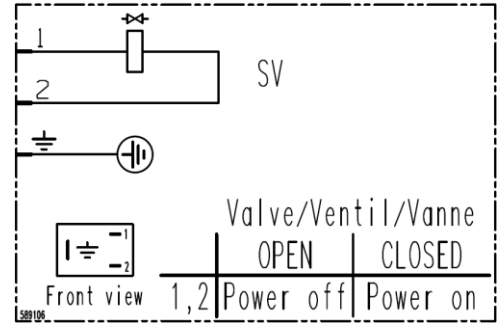
## Product data sheet

**Vacuum inline valve, Series 245, DN 40 (ID 1 1/2")**  
**Ordering No. 24532-KE42-0001**

### Electrical connections

#### Solenoid valve

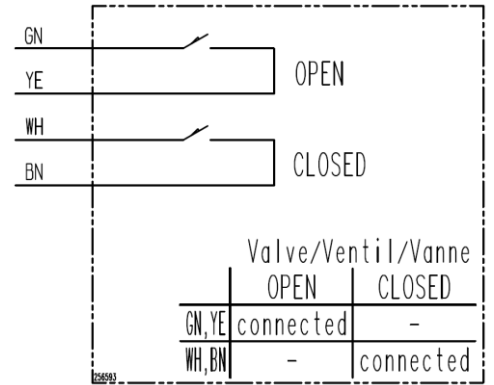
Type	3/2-way
Voltage	See solenoid
Power	See solenoid
Connector	Rectangle plug, Type B (DIN standard)
Cable	Ø6 – 8 mm



Wiring diagram

#### Position indicator

Type	Micro switch
Voltage	≤ 50 V AC / DC
Current	5 – 100 mA
Short circuit protected	No
Connection	Cable, 4 wires
Cable length	500 mm
Cable cross section	0.25 mm <sup>2</sup>



Wiring diagram