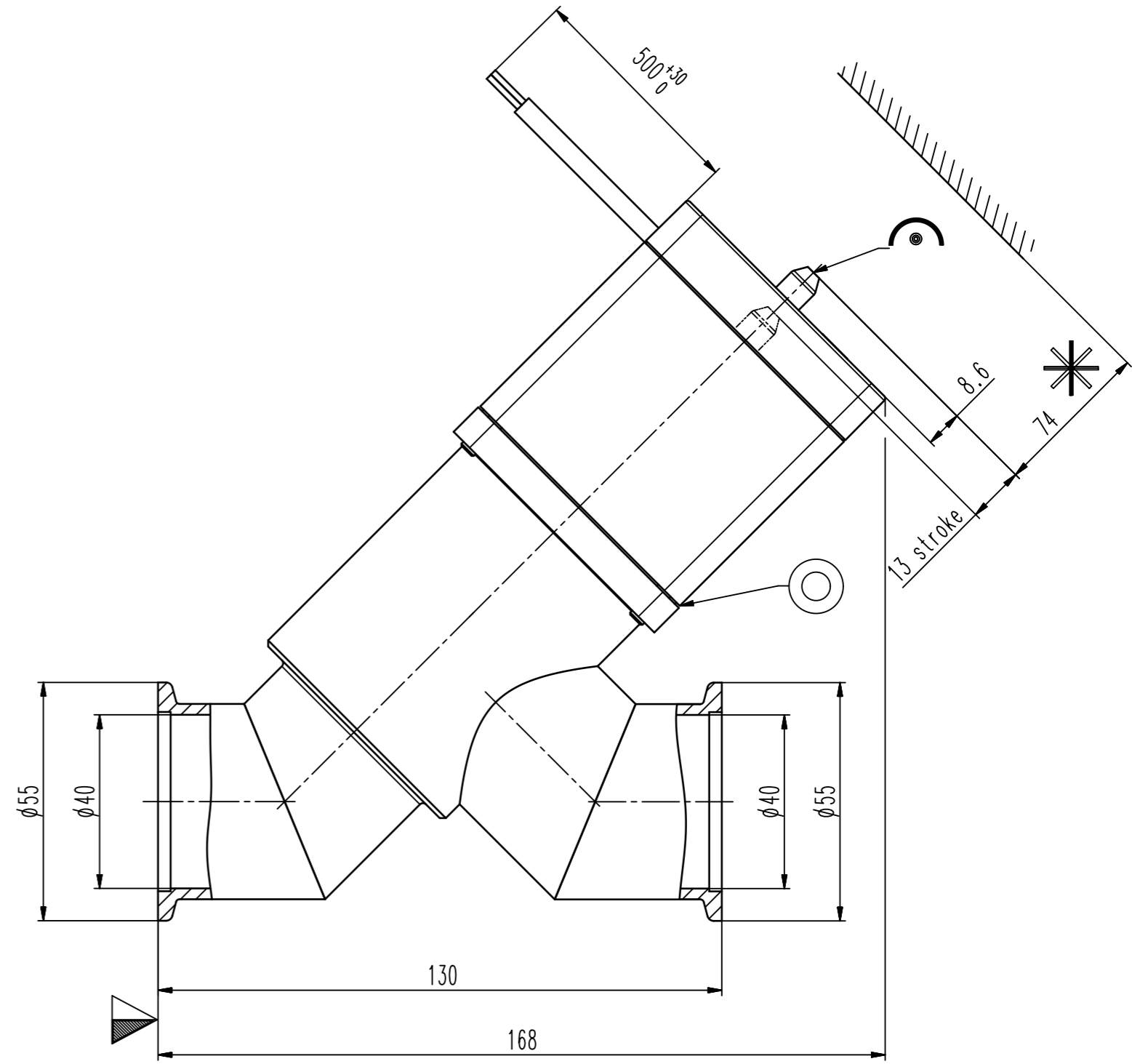
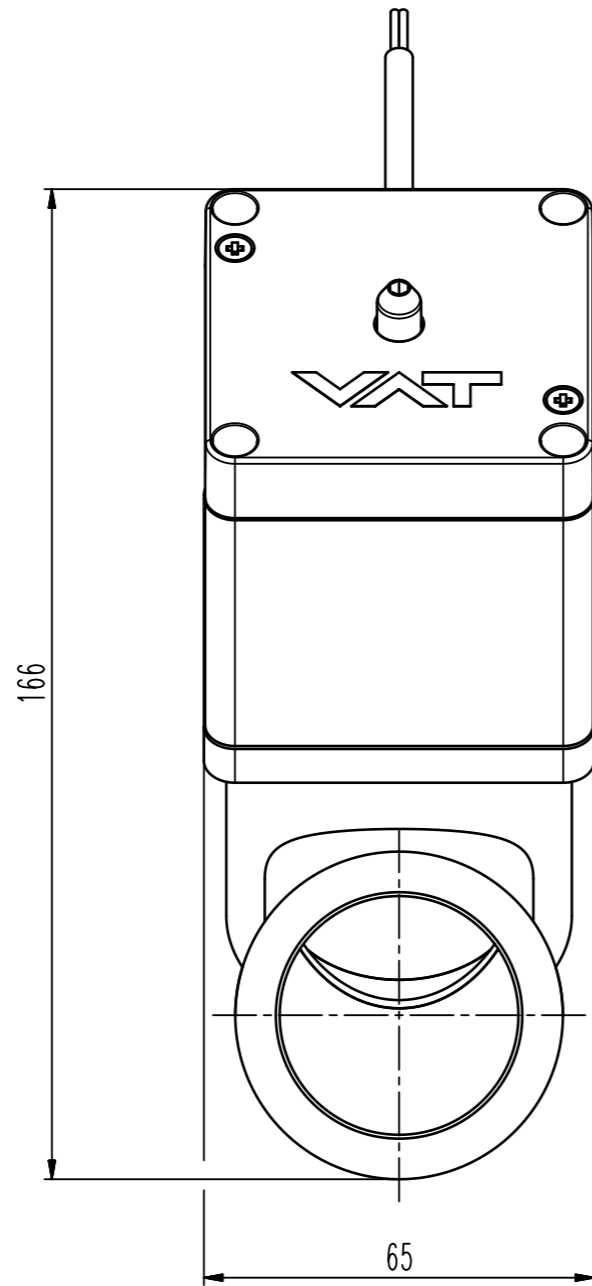


female M5
(10-32 UNF suitable)
4-8 bar



- ▼ Seat side
- ⊙ Comp. air connection
- ⊕ Electrical connection
- ⊙ Leak detection port
- ⊕ Mech. pos. indication
- ⊙ Position indicator
- ⊕ Required for dismantling
- ⊙ Emergency actuation
- ⊕ For attachment
- ⊙ Bake-out area
- ⊕ Differential pumping port

Vacuum inline valve



VAT Vakuumventile AG

CH-9469 Haag, Switzerland
Tel ++41 81 7716161 Fax ++41 81 7714830

Rev.-Date: 25.07.13

Visa: RIA

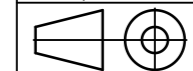
Series

245

Ordering No.

24532-KE22-0001

Projection E



DN

40

Flange

ISO-KF

Dimensional Drawing

704210

Rev.