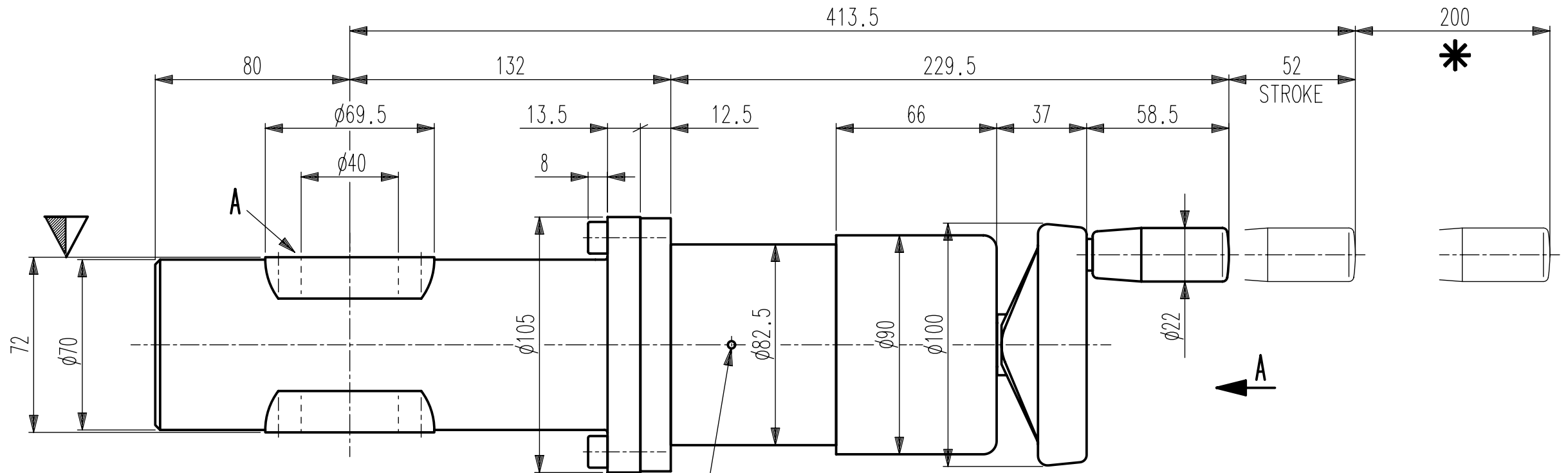
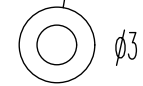
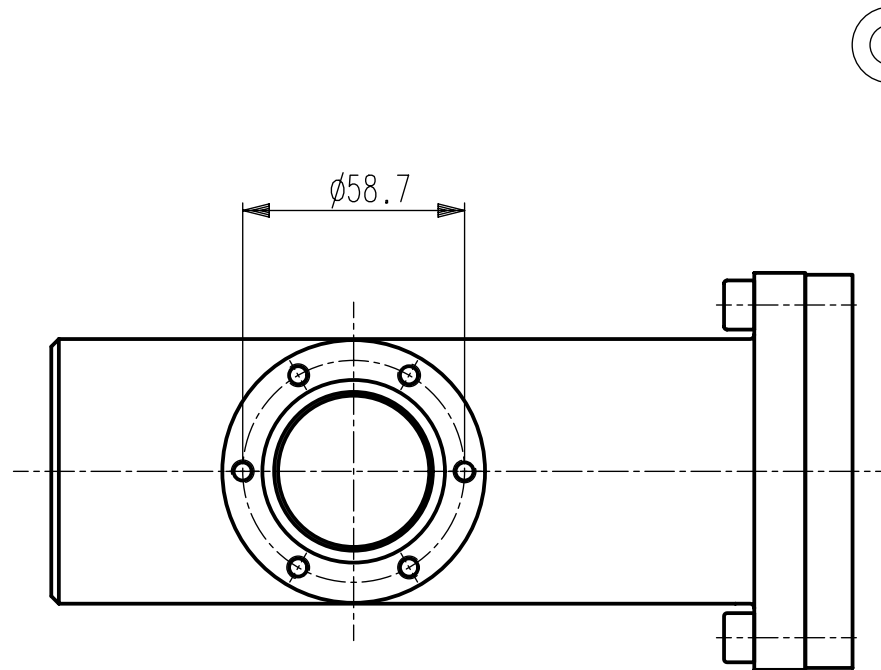
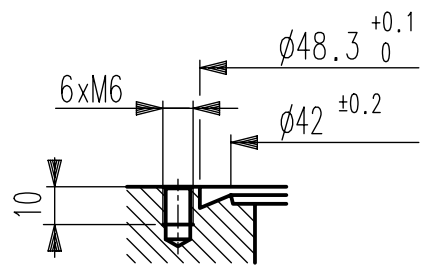


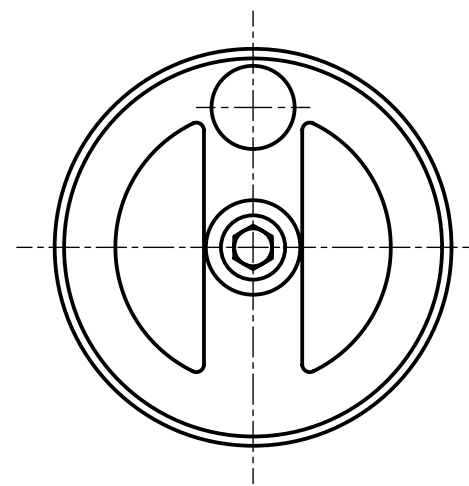
This drawing is the property of VAT.  
 Without the written consent of VAT, it must  
 not be copied or distributed to a third person



DETAIL A



VIEW A



Revision	
Code	
Date	
Name	

- ▼ Seat side
- ⊙ Comp. air connection
- ⊕ Electrical connection
- ⊖ Leak detection port
- ⊗ Mech. pos. indication
- ⊘ Position indicator
- ⊙\* Required for dismantling
- ⊙ Emergency actuation
- ⊙ For attachment
- ⊙ Bake-out area

**All-Metal Gate Valve**  
Manual actuator

**VAT Vakuumentile AG**  
CH-9469 Haag, Switzerland  
Tel ++41 81 7716161 Fax ++41 81 7714830

Date: 28.01.97  
Name: LENHERR

Series	48.1	Ordering No.	48132-CE01
Projection E		DN	40
		Flange	CF-F
Dimensional Drawing		84188	Rev.